

Section : Body
Electrical
Ref. No. : BE-0025
Date : Jul., 2000
Page : 1 of 2

Area Application : Europe, Others(Saudi Arabia)

Model Name : LAND CRUISER, LAND CRUISER PRADO

Model Code : RZJ95, KDJ90, 95

Subject : ELECTRICAL WIRING DIAGRAM

This Service Bulletin is to inform you of the Electrical Wiring Diagram for the following systems due to the additions of the model equipped with 1KD-FTV engine and the engine immobiliser system for 3RZ-FE engine.

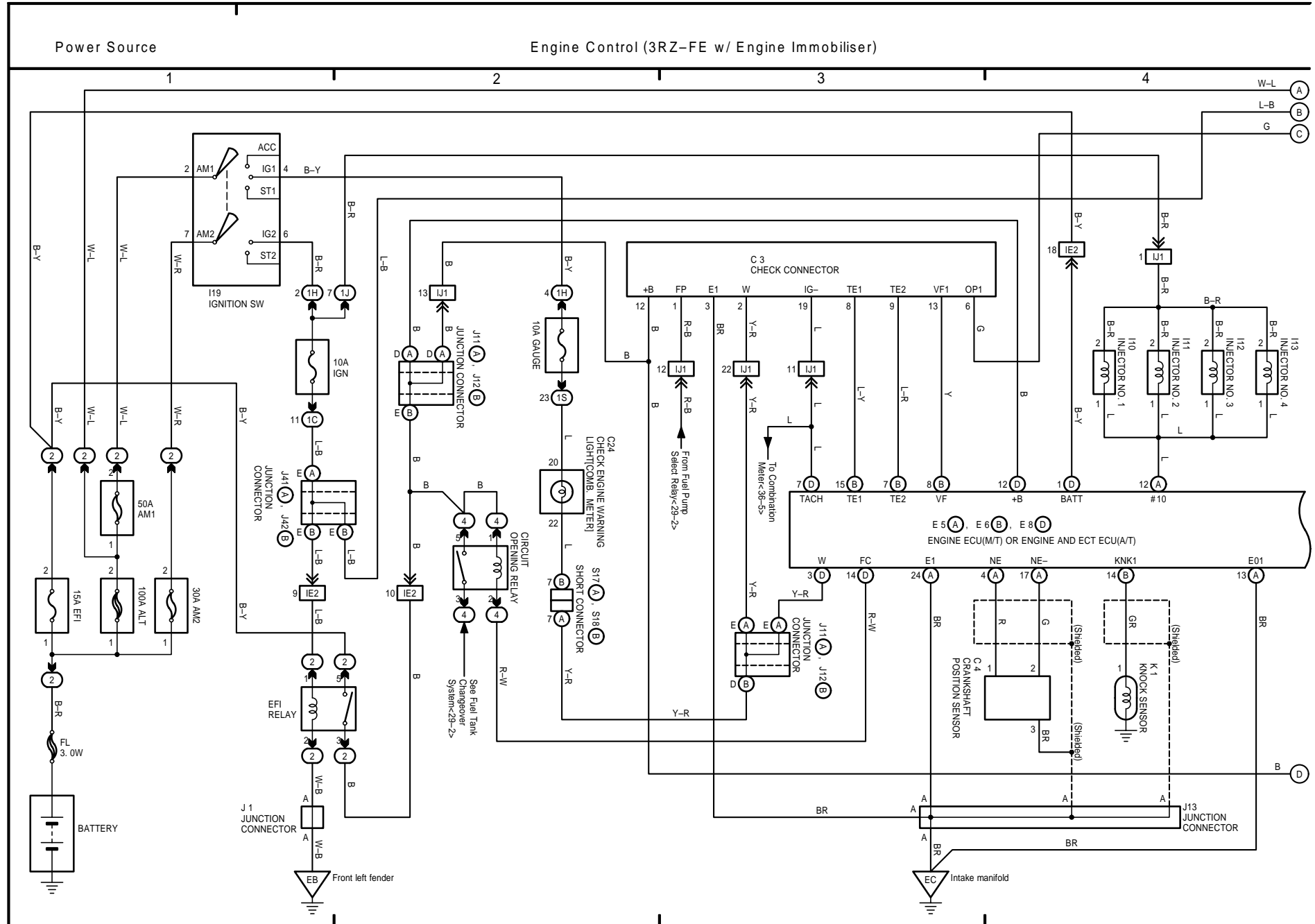
System	Location	
	LHD	RHD
Air Conditioner (Automatic 1KD-FTV)	49-4	47-4
Center Differential Lock (1KD-FTV w/VSC)	46-2	44-2
Charging (1KD-FTV)	41-3	39-3
Combination Meter (1KD-FTV)	48-2	46-2
Condenser Fan (Automatic 1KD-FTV)	49-2	47-2
Cruise Control (1KD-FTV)	42-10	40-10
ECT and A/T Indicator (1KD-FTV)	47-2	45-2
Engine Control (3RZ-FE w/Engine Immobiliser)	40-2	---
Engine Control (1KD-FTV)	42-2	40-2
Engine Immobiliser System (1KD-FTV)	42-12	40-12
Glow Plug (1KD-FTV)	42-1	40-1
Fuel Heater (1KD-FTV)	42-2	40-2
Illumination (1KD-FTV)	43-2	41-2
SRS (1KD-FTV)	44-2	42-2
Starting (1KD-FTV)	41-2	39-2
Viscous Heater (1KD-FTV)	46-3	44-3
VSC (1KD-FTV)	45-2	43-2

The attached pages will be applied to the following manuals.

Pub. No.	Publication Name
EWD269F	LAND CRUISER / LAND CRUISER PLADO Electrical Wiring Diagram
EWD340F	LAND CRUISER / LAND CRUISER PLADO Electrical Wiring Diagram Supplement
EWD376F	LAND CRUISER / LAND CRUISER PLADO Electrical Wiring Diagram Supplement

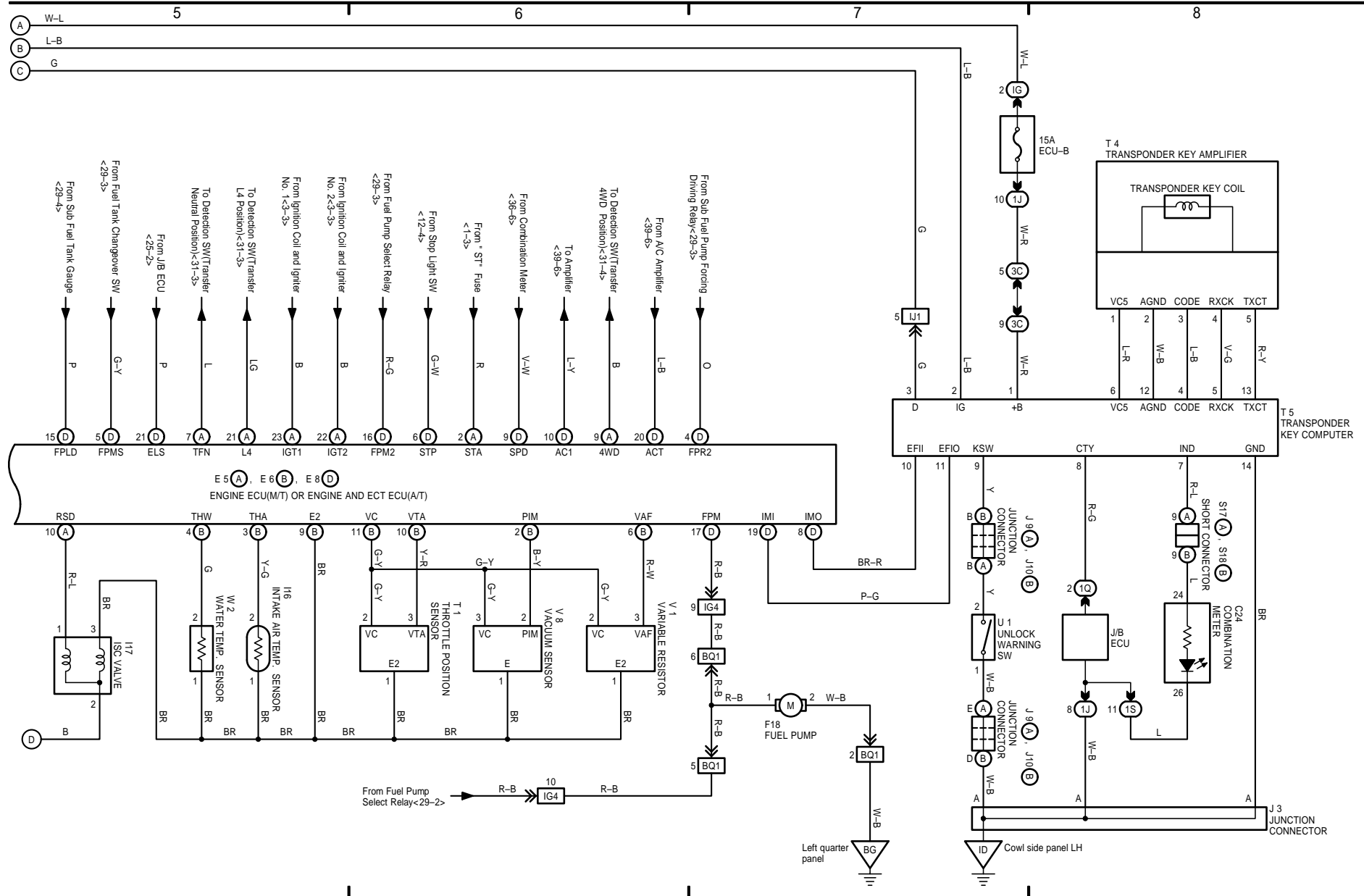
Production Effective :

Frame No.	Production Date
---	From August, 2000

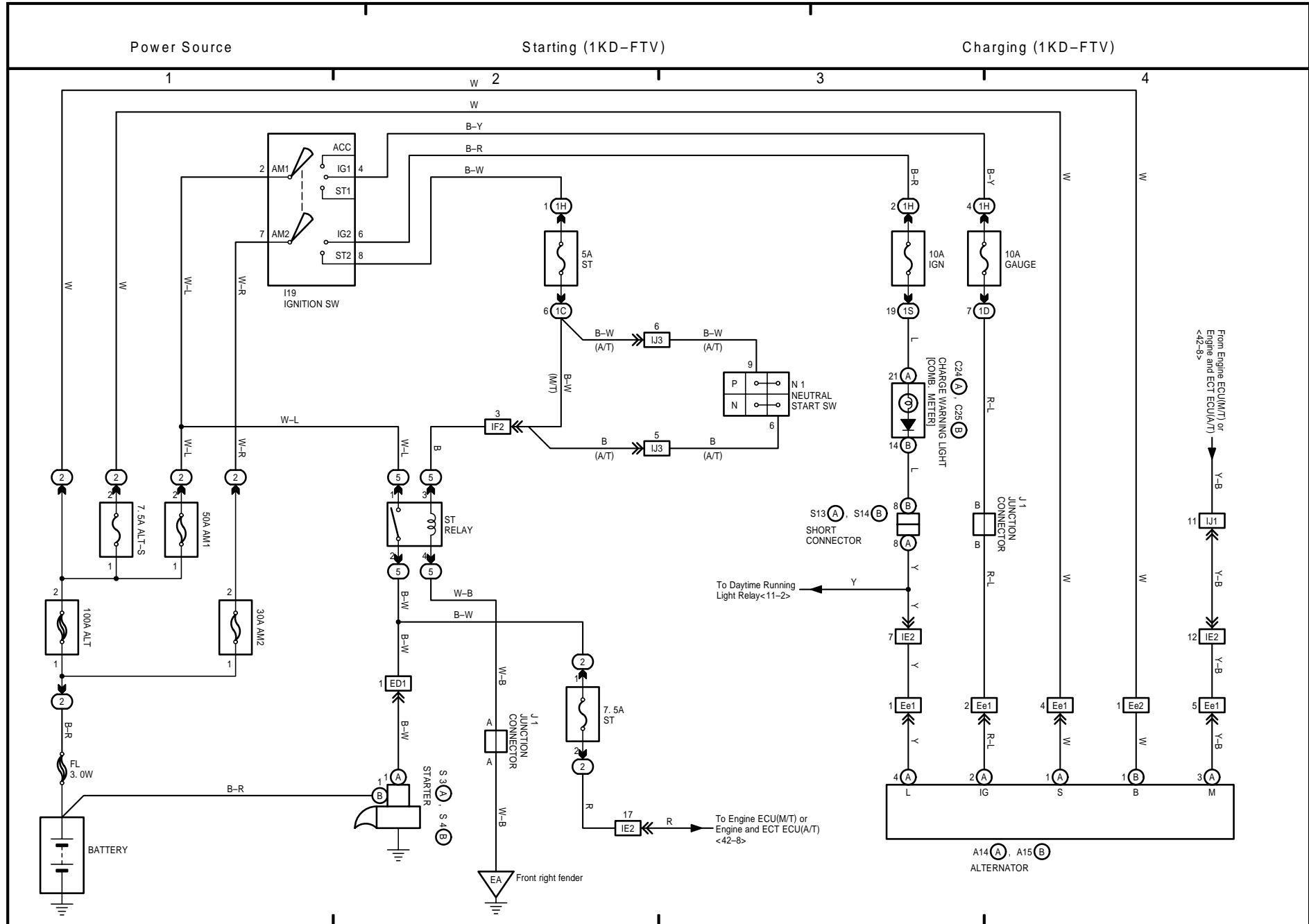


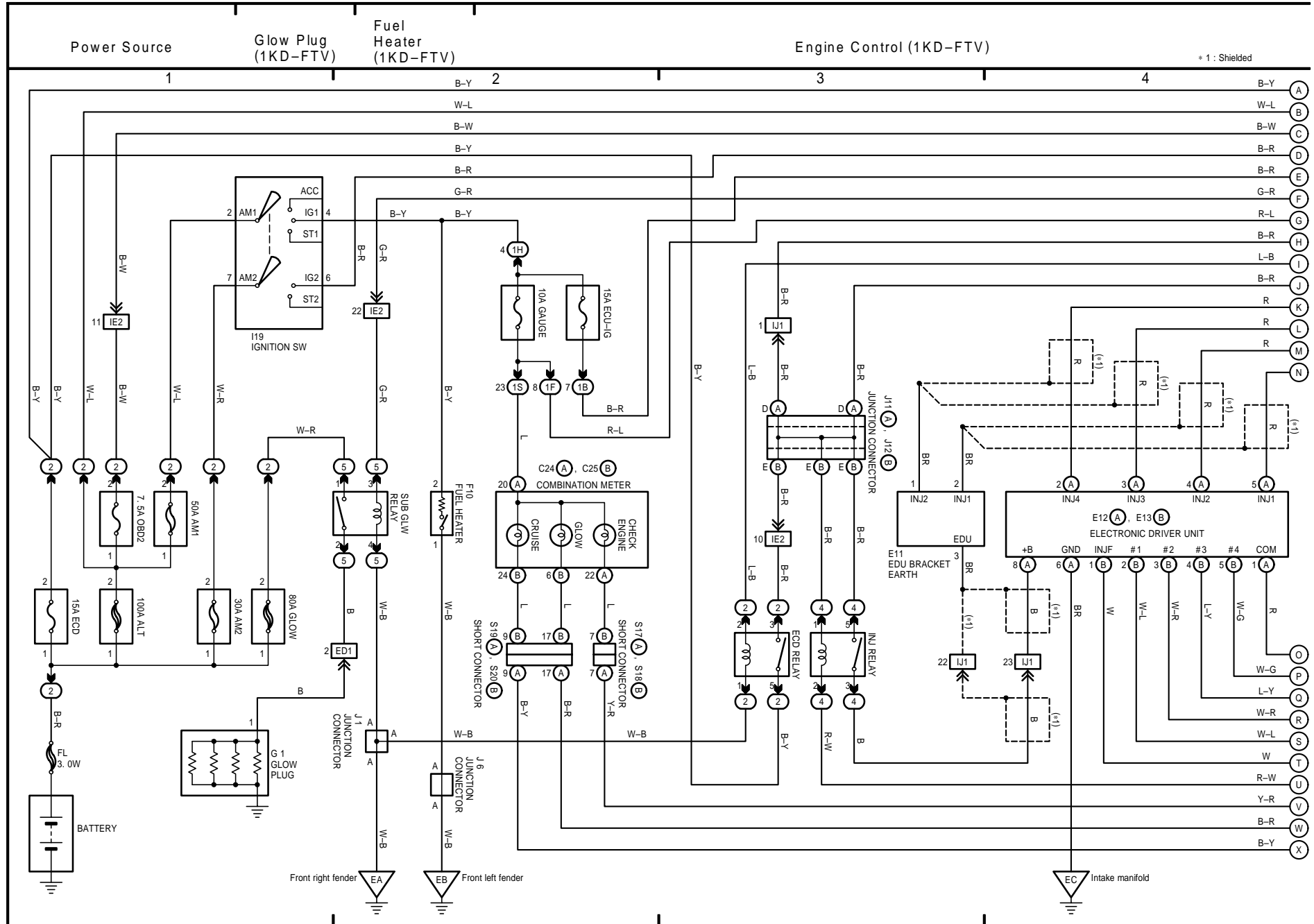
40 LAND CRUISER / LAND CRUISER PRADO (LHD) (Cont' d)

Engine Control (3RZ-FE w/ Engine Immobiliser)

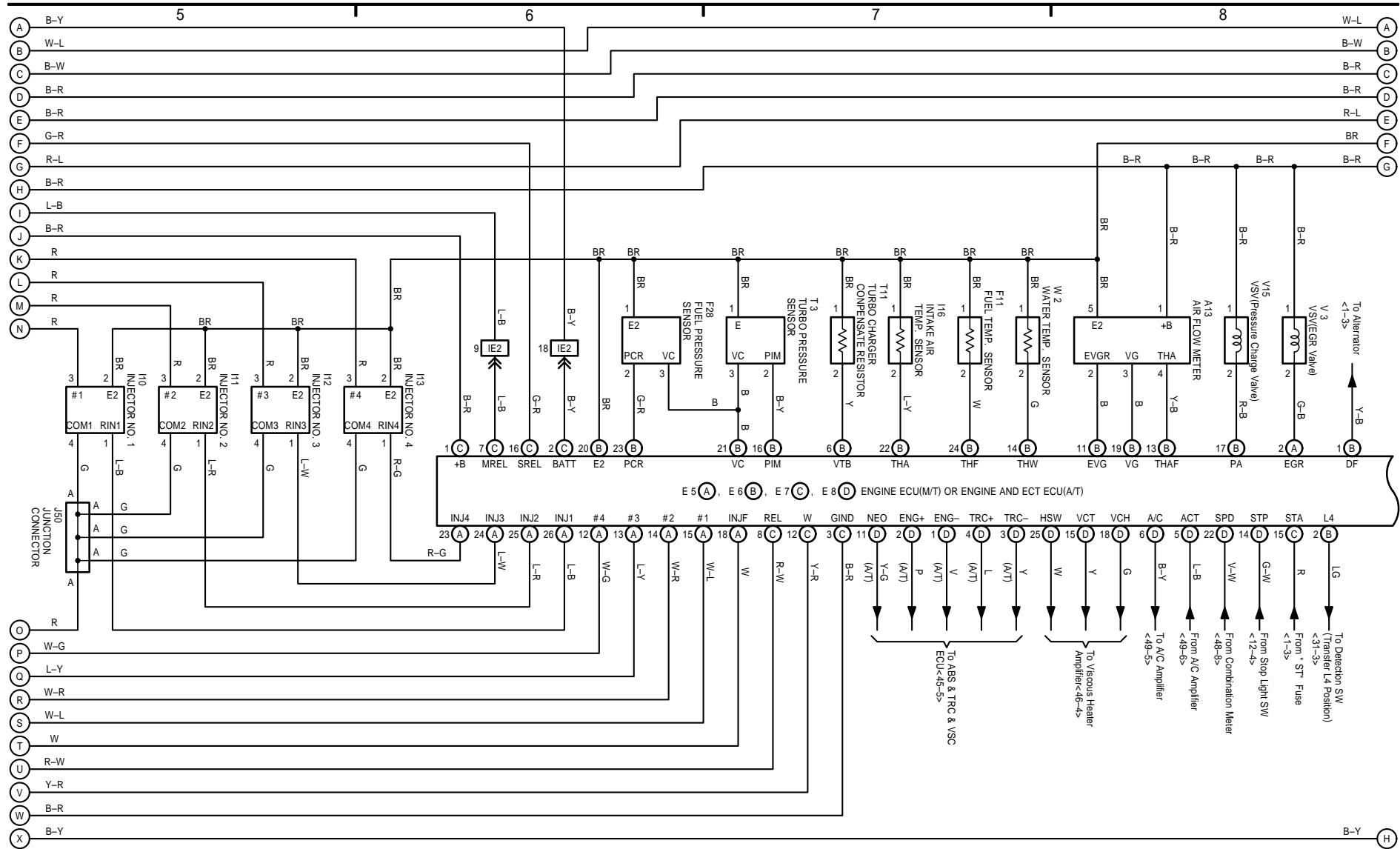


41 LAND CRUISER / LAND CRUISER PRADO (LHD)

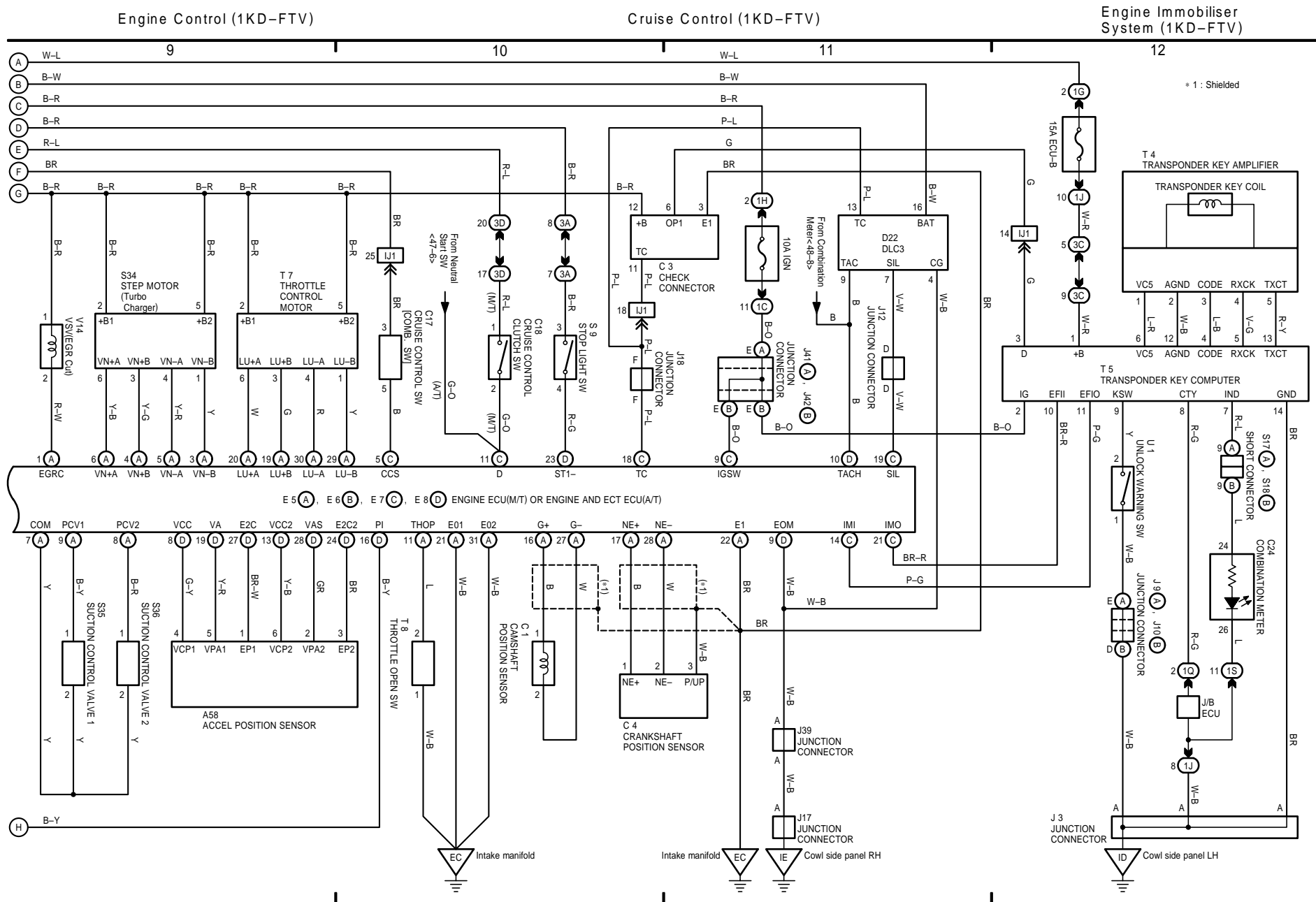




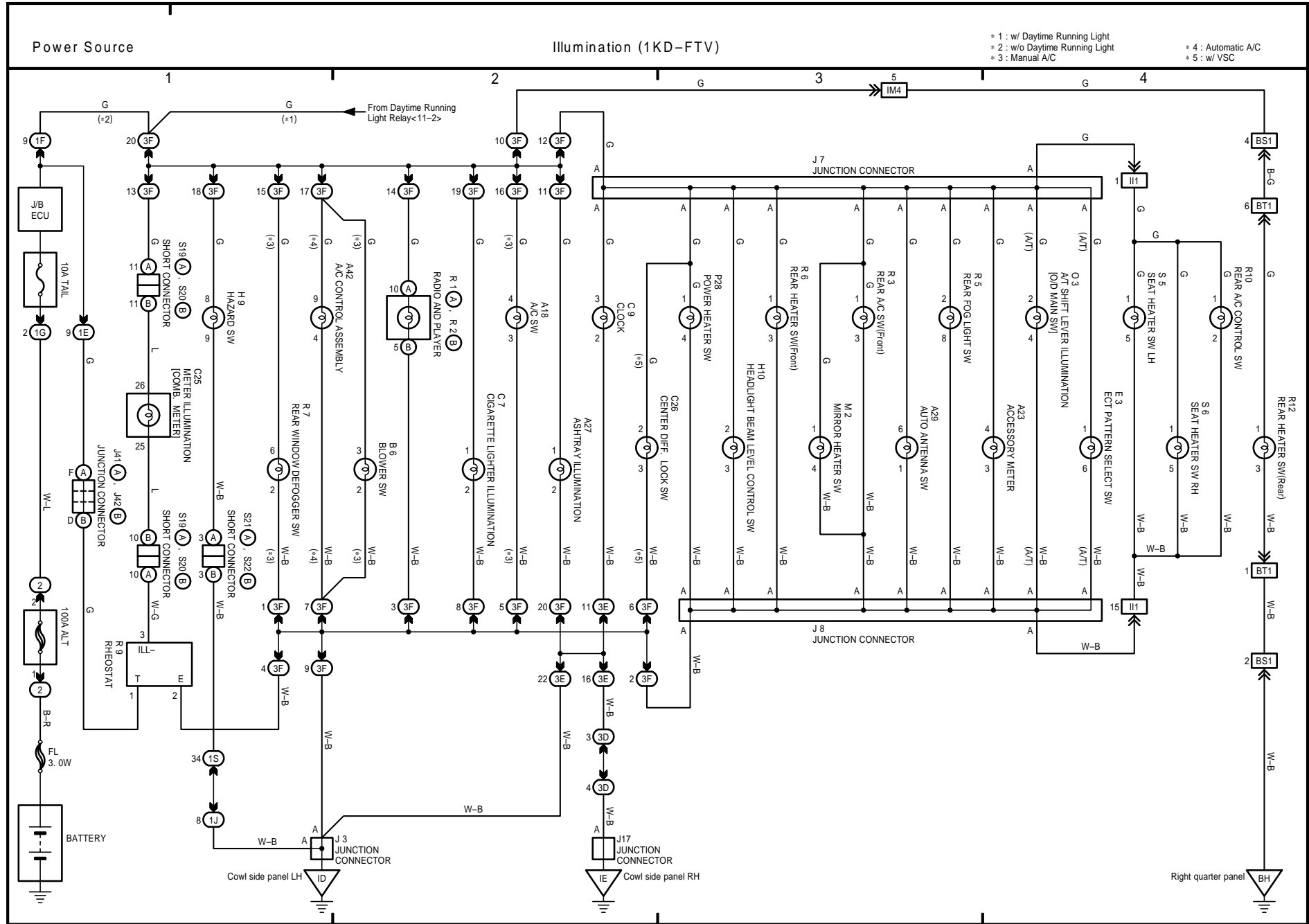
Engine Control (1KD-FTV)



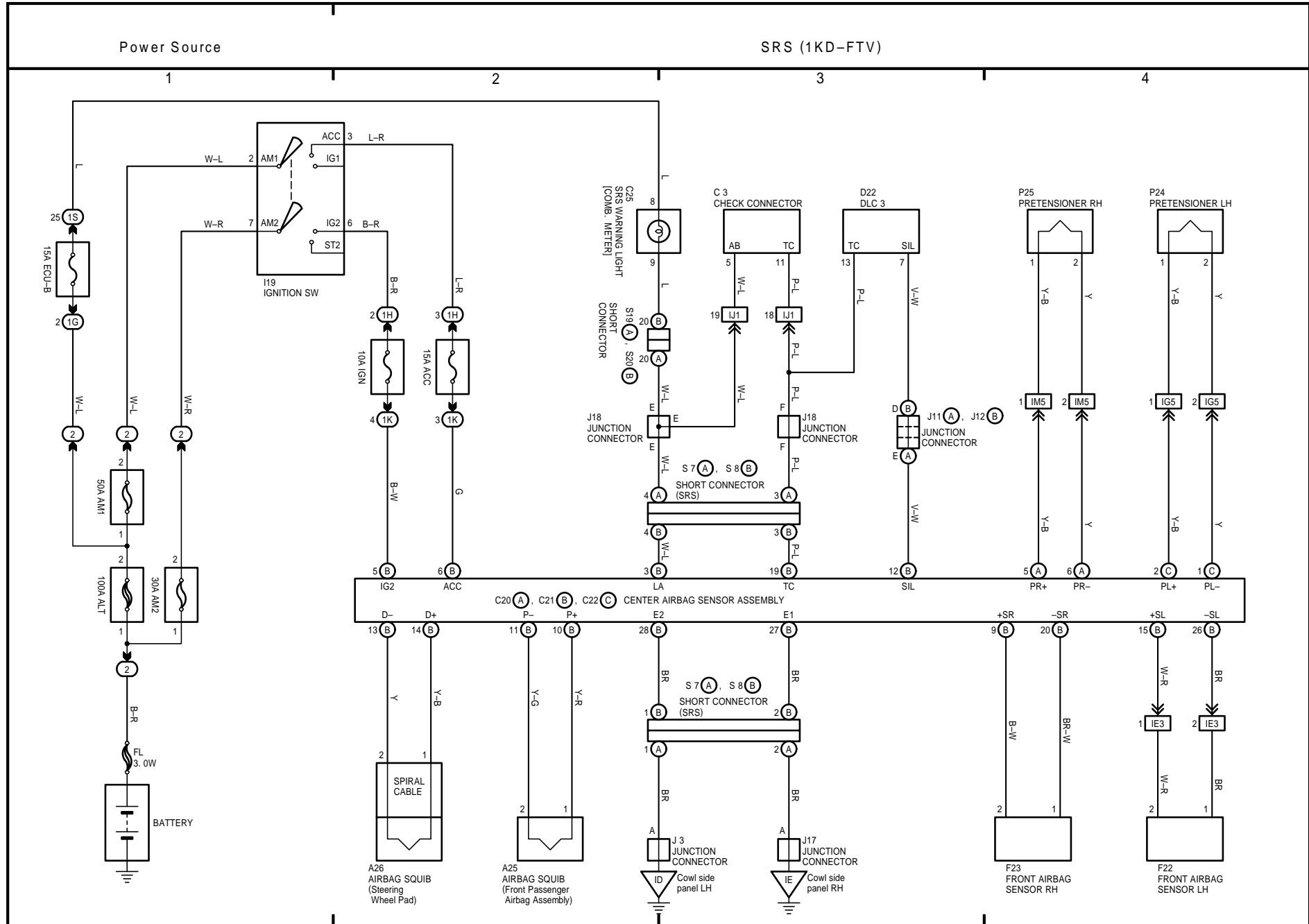
42 LAND CRUISER / LAND CRUISER PRADO (LHD) (Cont' d)

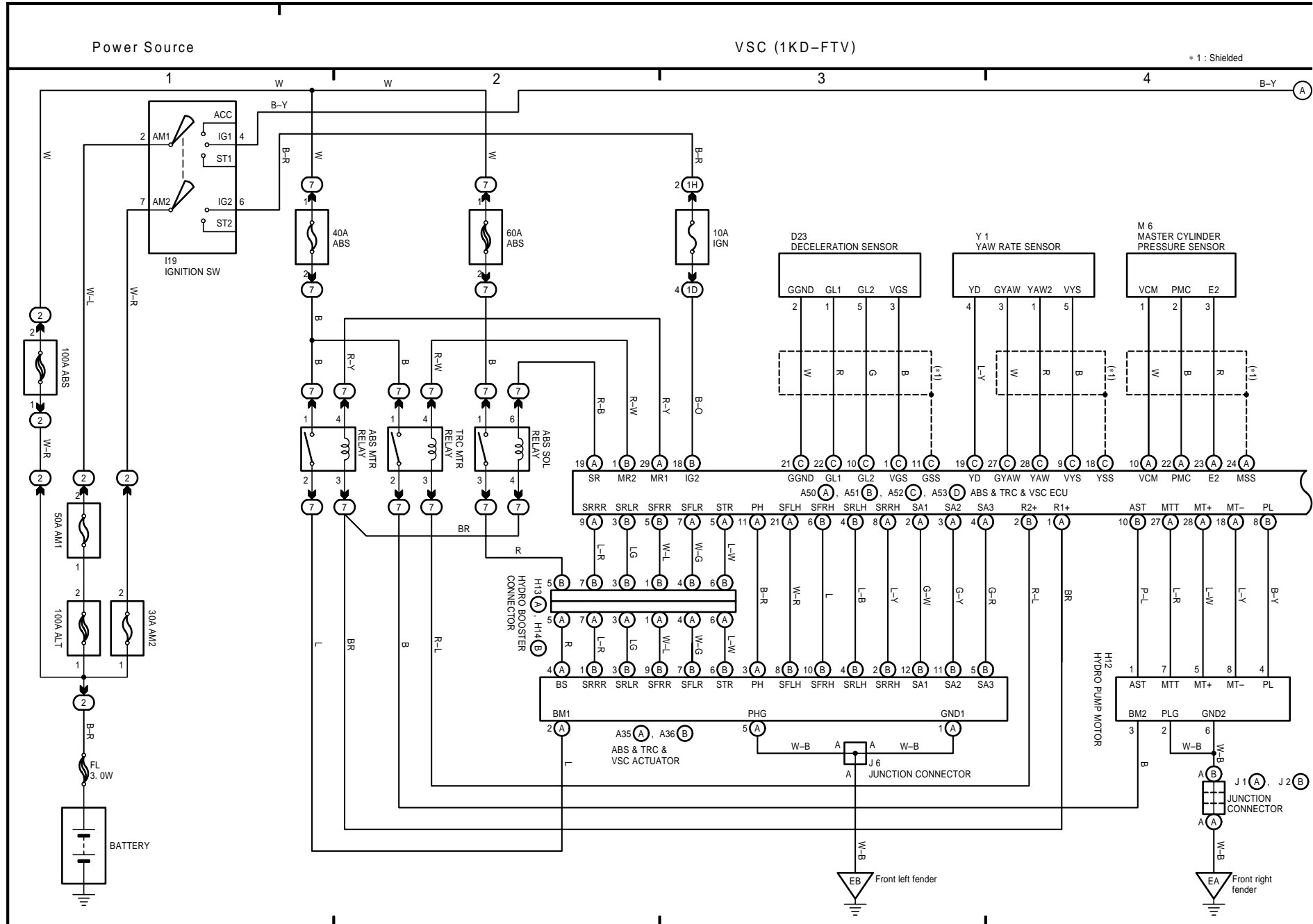


43 LAND CRUISER / LAND CRUISER PRADO (LHD)



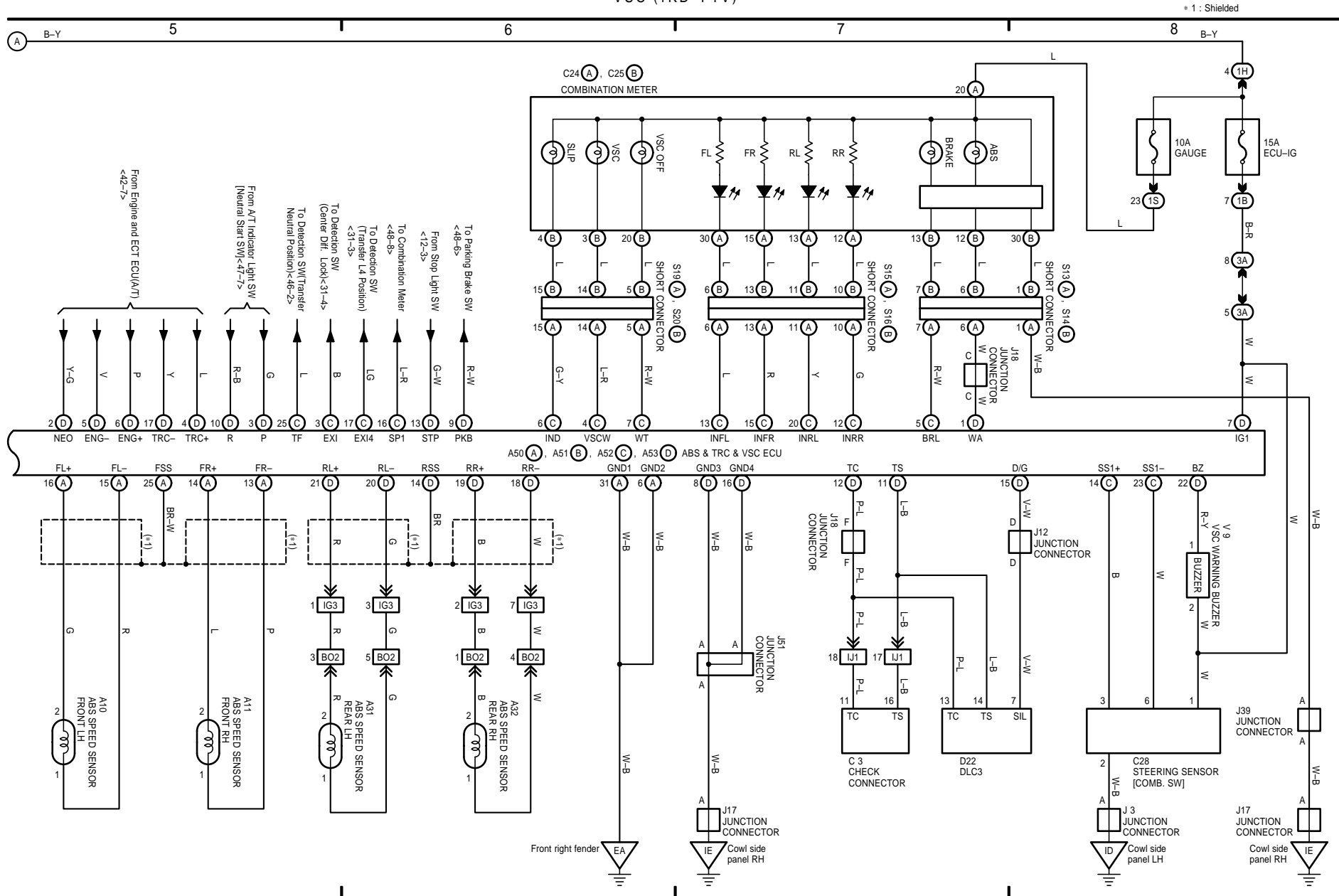
44 LAND CRUISER / LAND CRUISER PRADO (LHD)



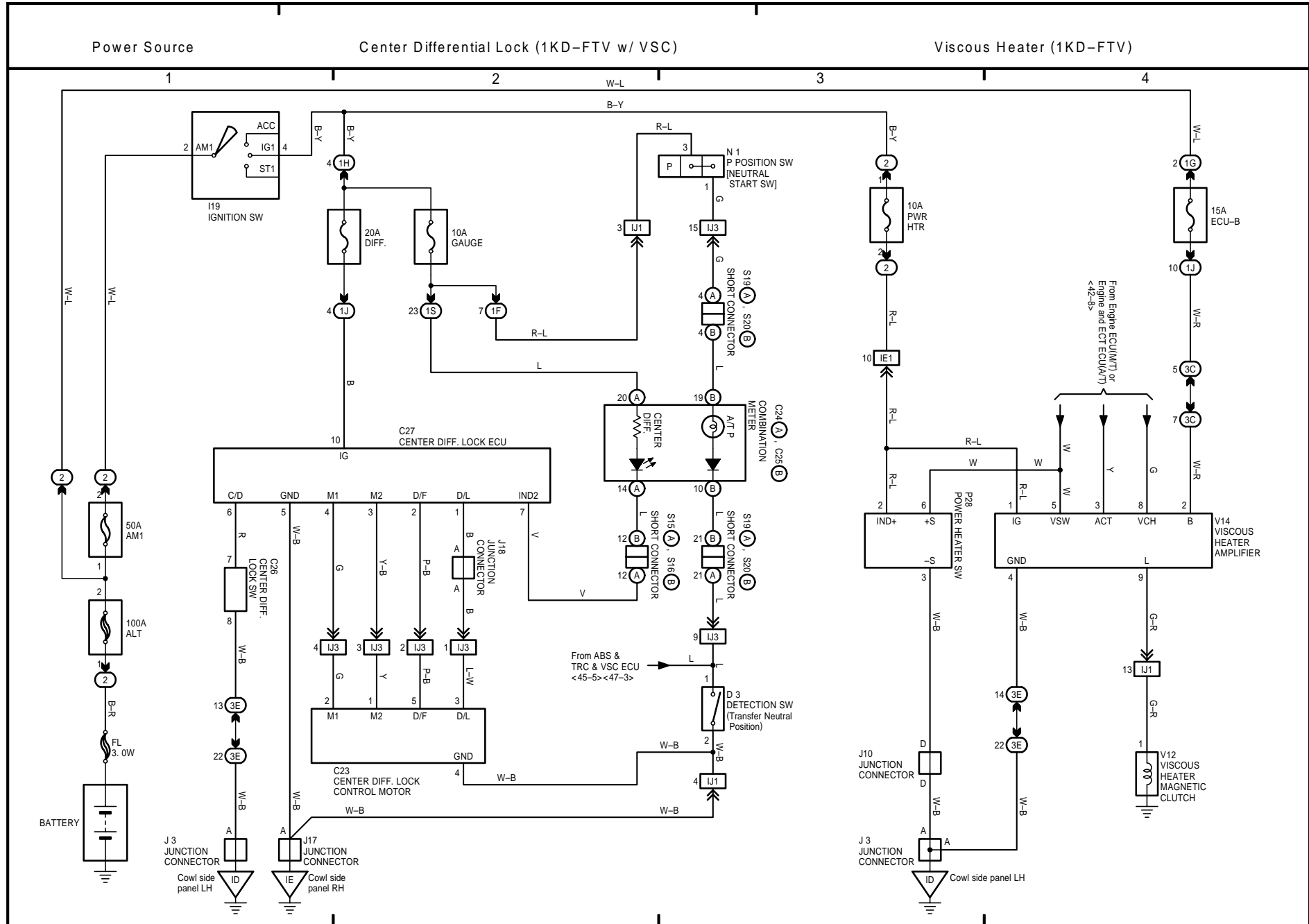


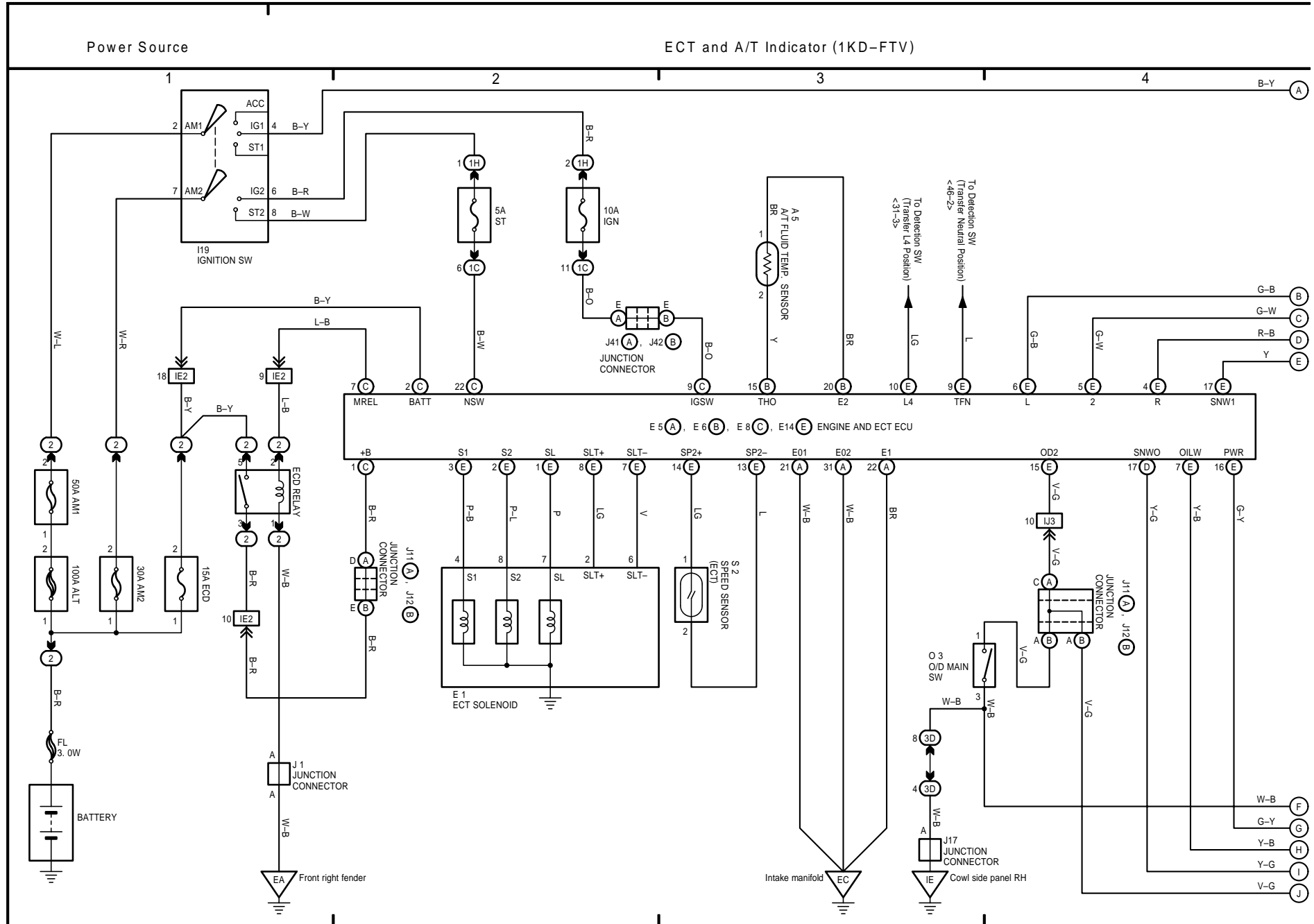
45 LAND CRUISER / LAND CRUISER PRADO (LHD) (Cont' d)

VSC (1KD-FTV)



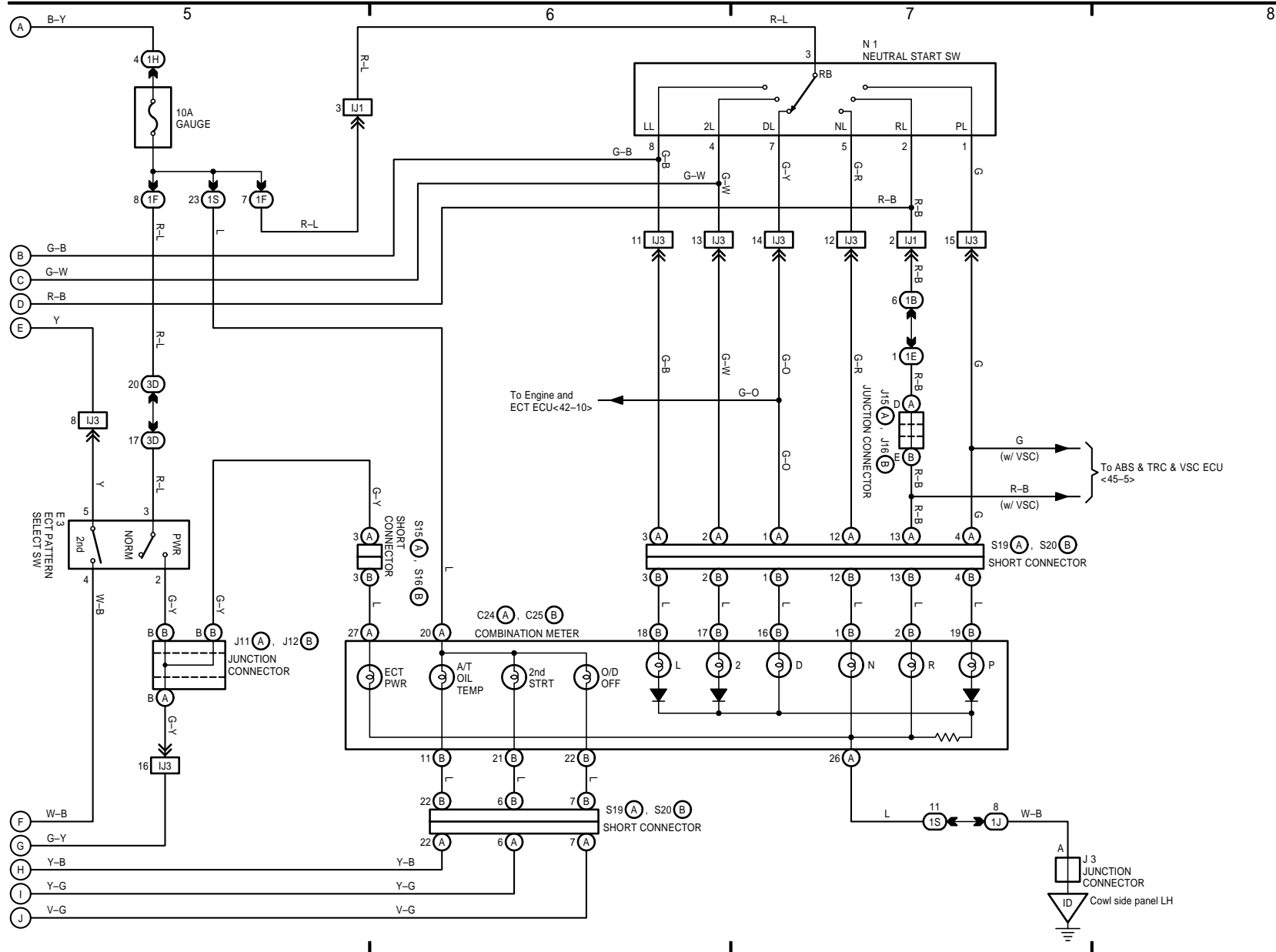
46 LAND CRUISER / LAND CRUISER PRADO (LHD)

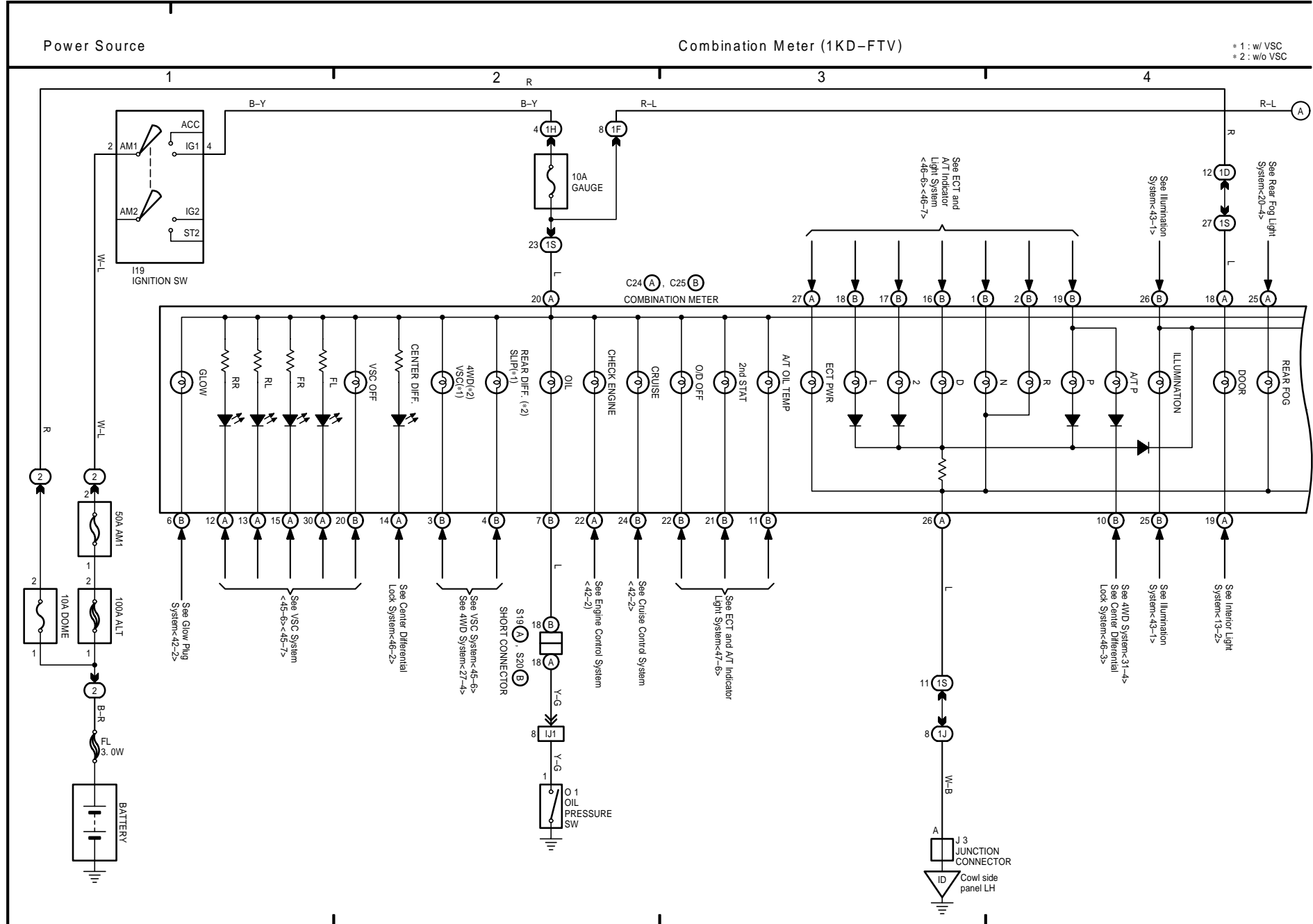




47 LAND CRUISER / LAND CRUISER PRADO (LHD) (Cont' d)

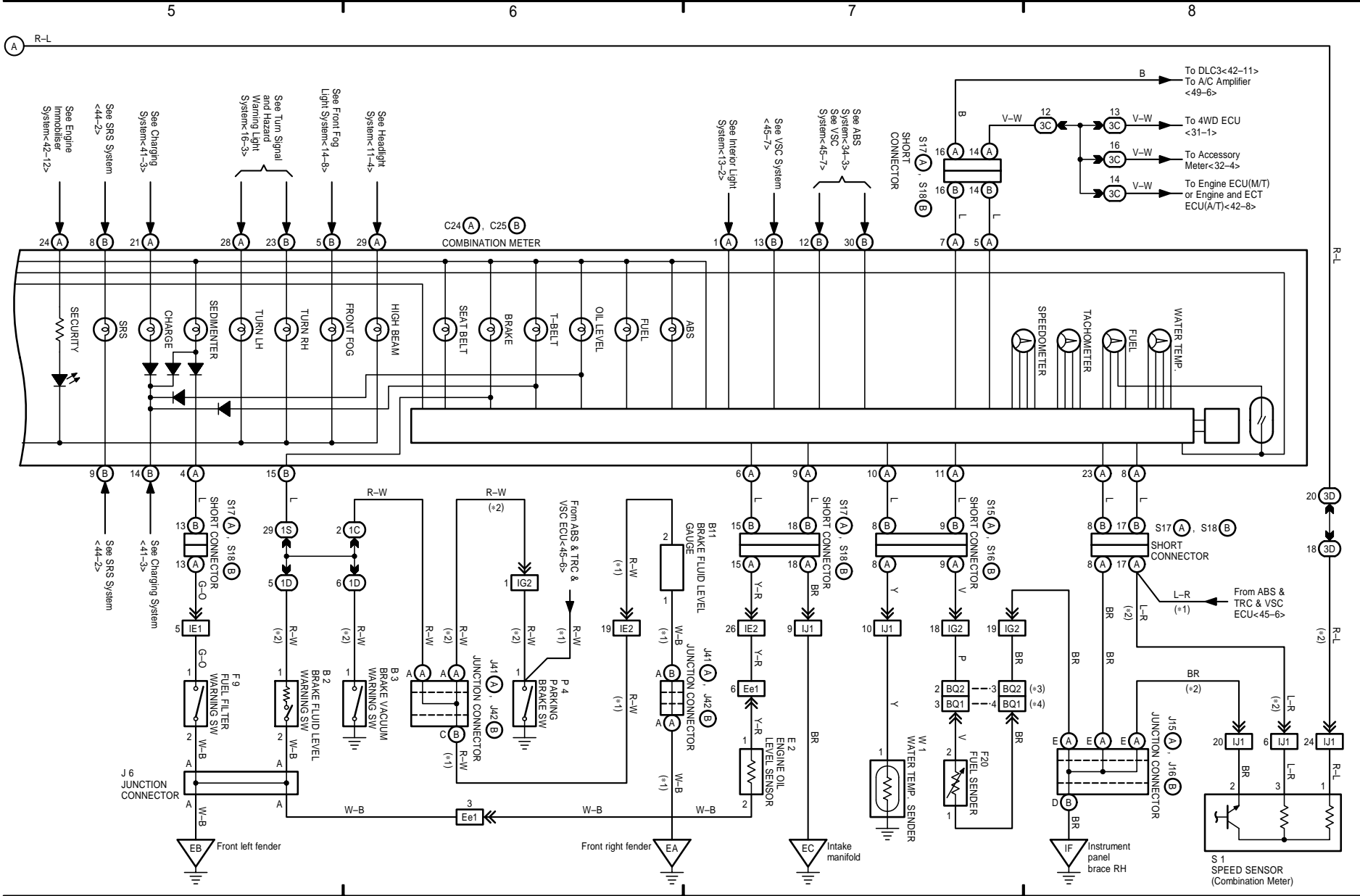
ECT and A/T Indicator (1KD-FTV)

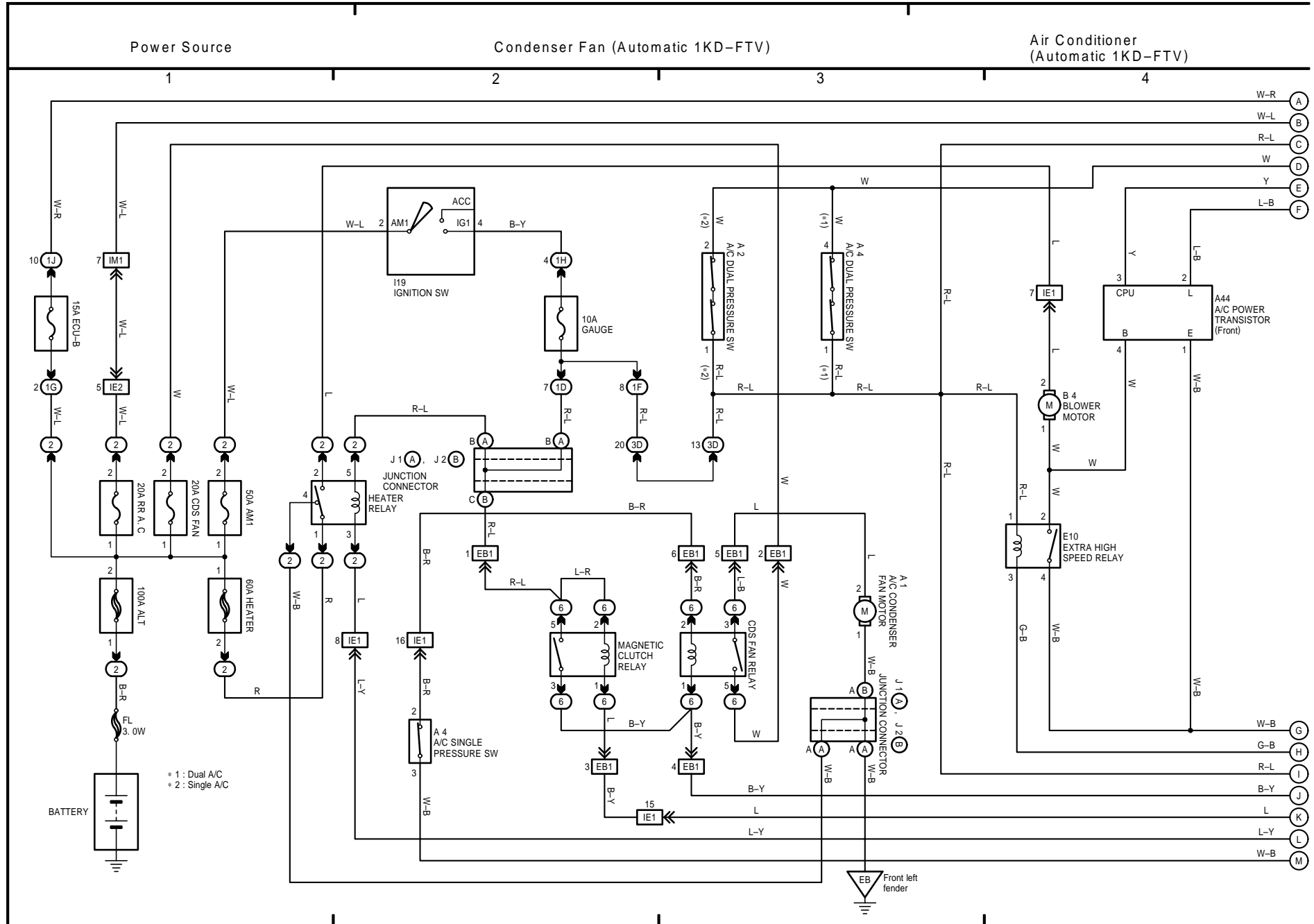




Combination Meter (1KD-FTV)

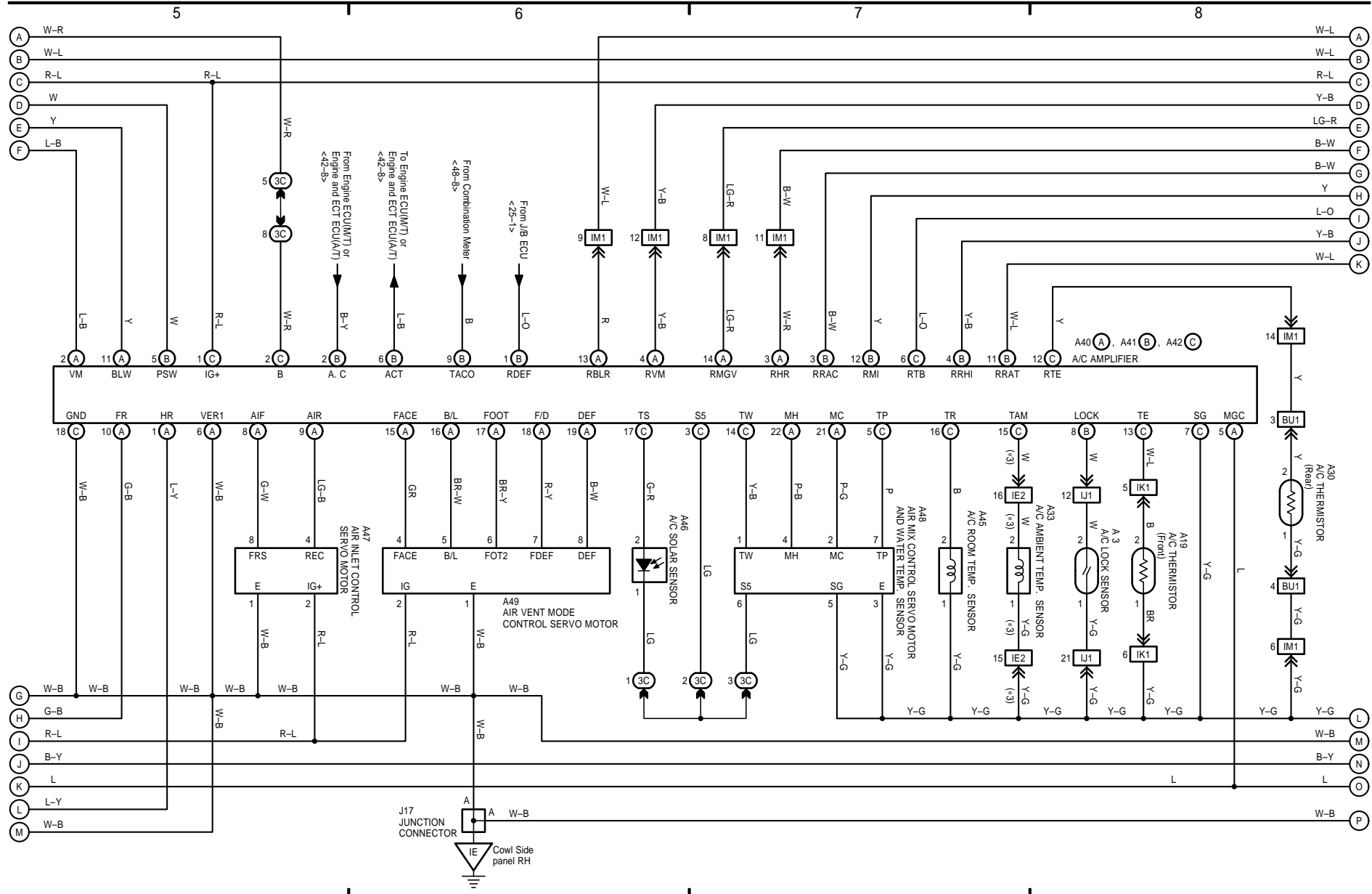
- * 1 : w/ VSC
- * 2 : w/o VSC
- * 3 : 3-Door
- * 4 : 5-Door



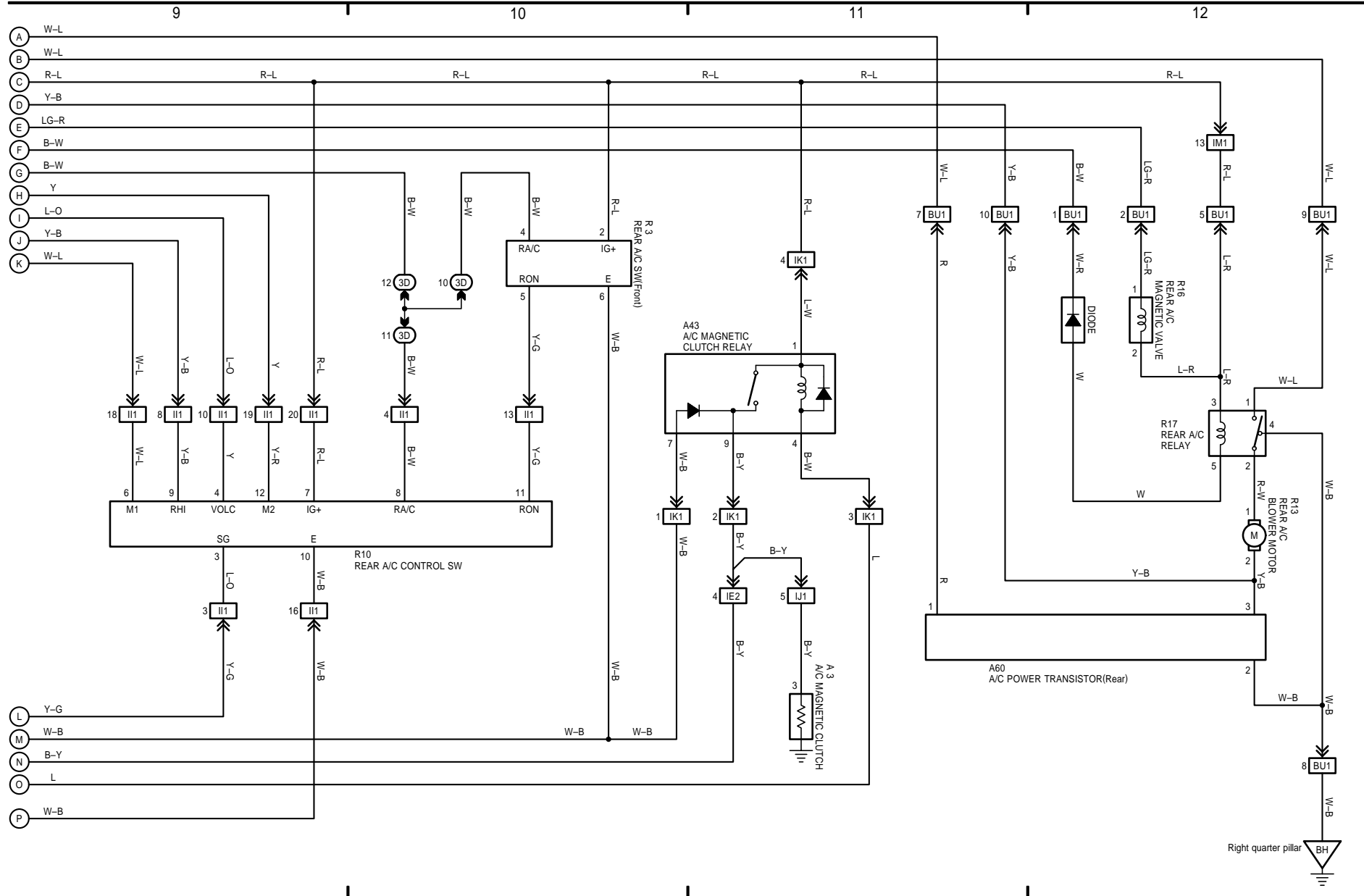


Air Conditioner (Automatic 1KD-FTV)

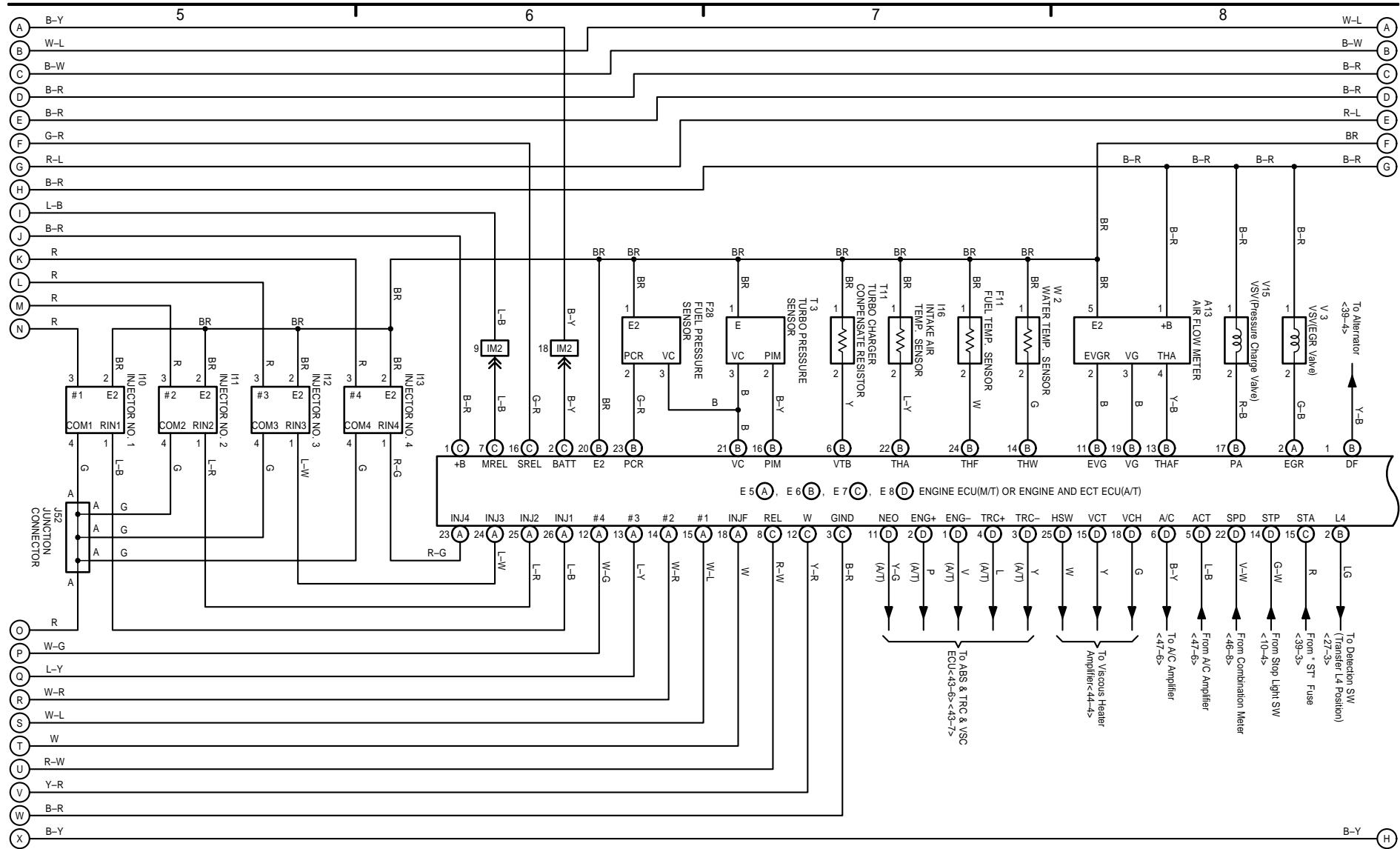
* 3 : w/ ABS or w/ VSC



Air Conditioner (Automatic 1KD-FTV)



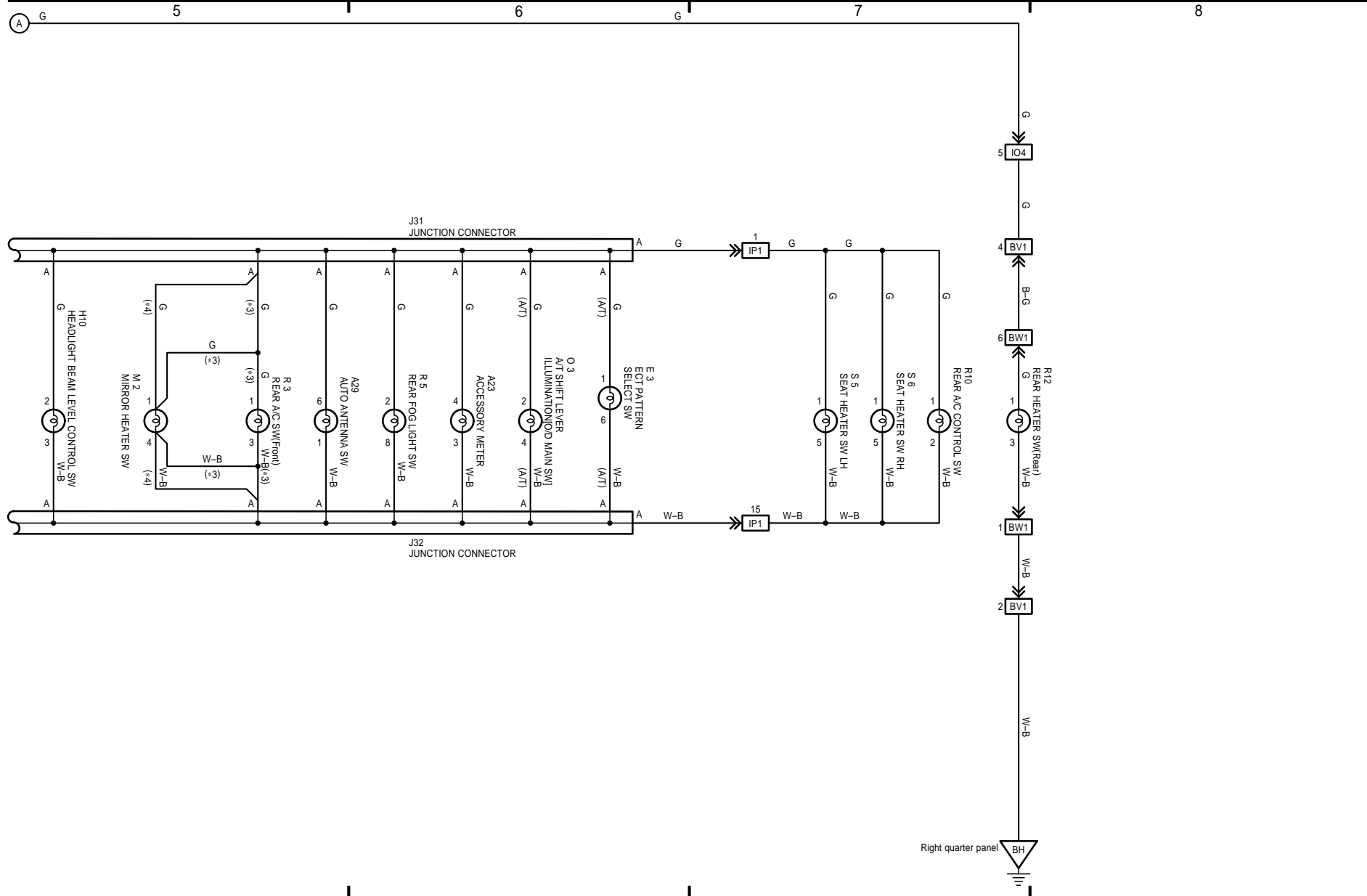
Engine Control (1KD-FTV)

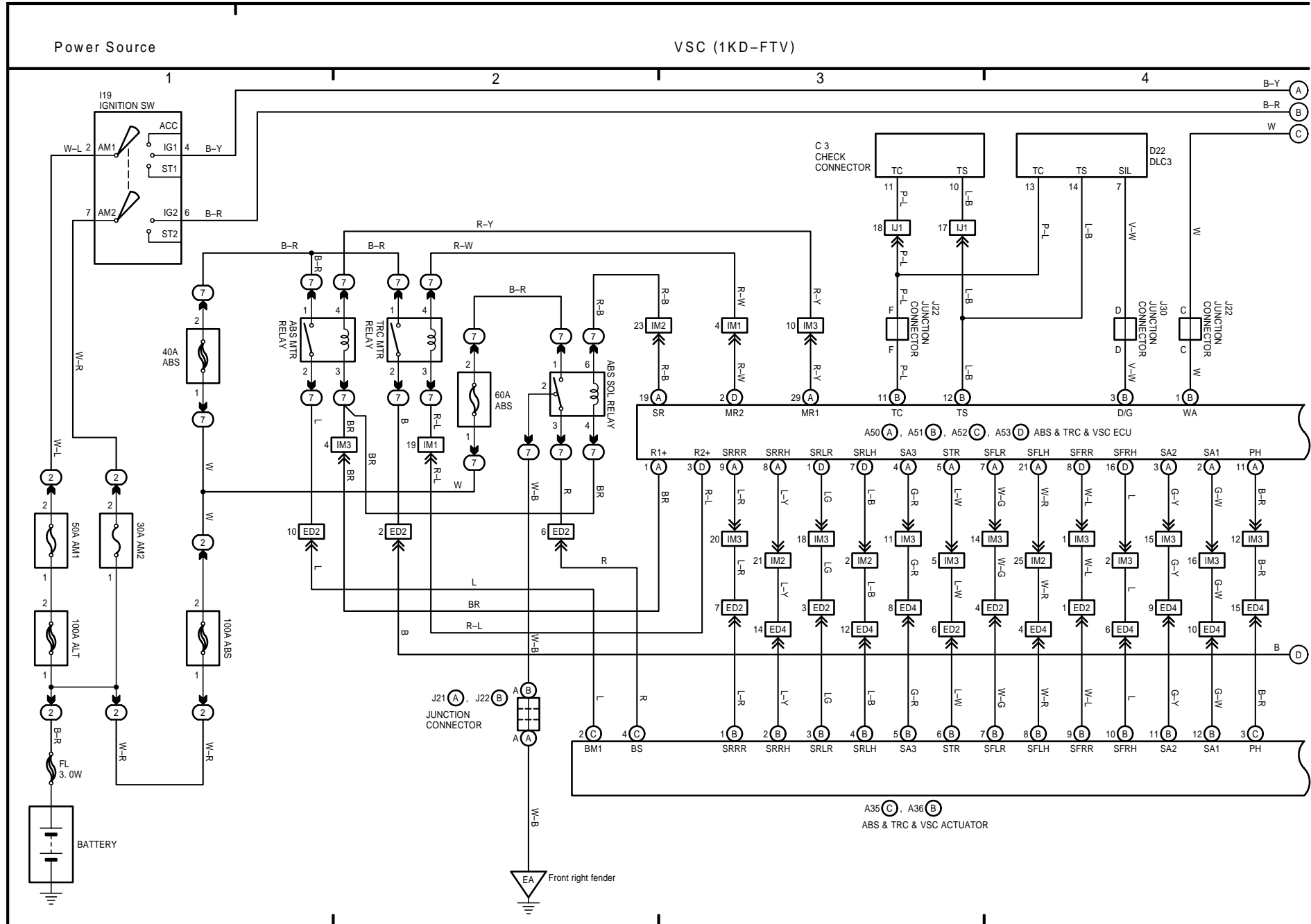


41 LAND CRUISER / LAND CRUISER PRADO (RHD) (Cont' d)

Illumination (1KD-FTV)

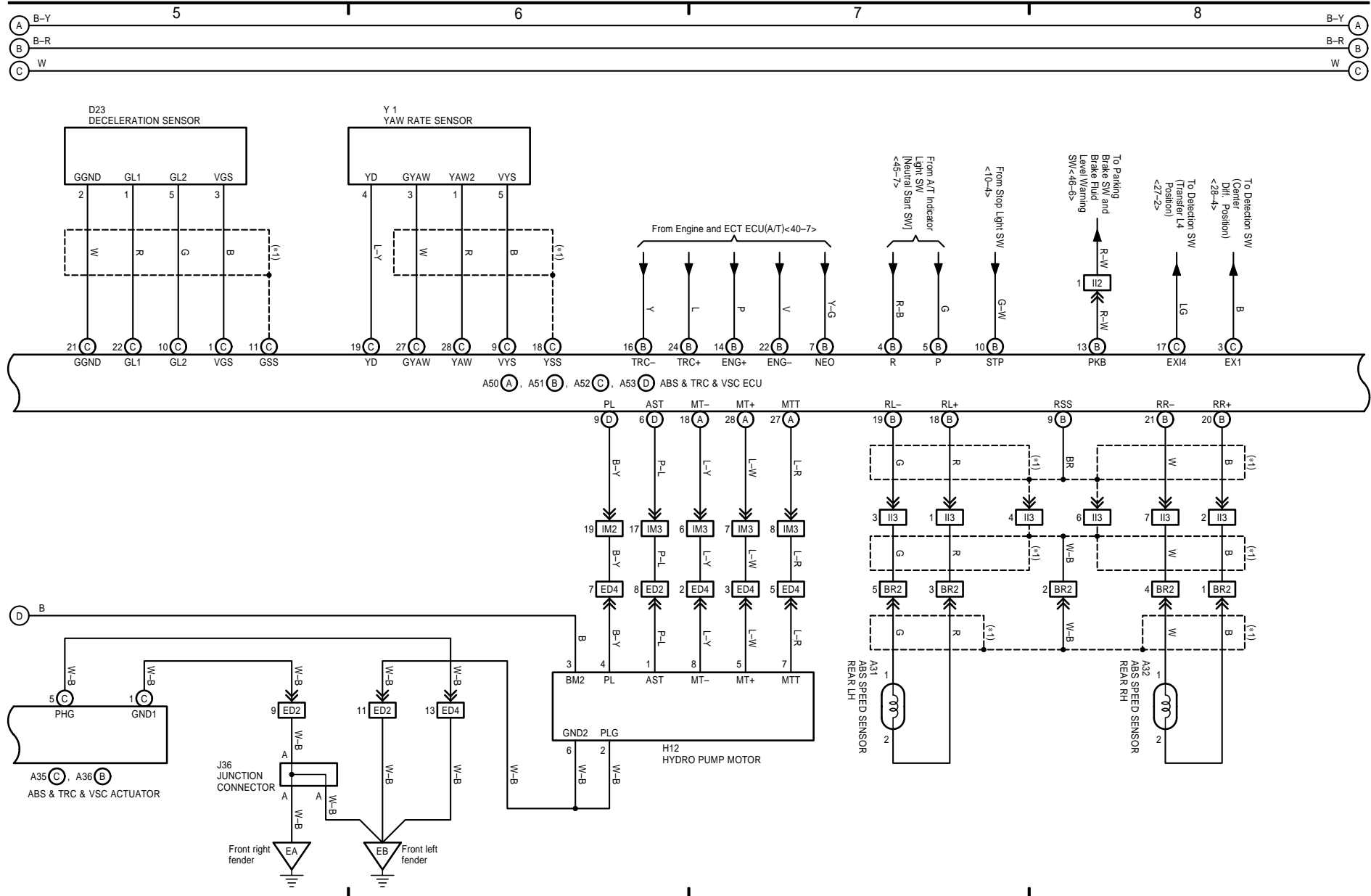
* 3 : w/ Rear A/C
 * 4 : w/o Rear A/C





VSC (1KD-FTV)

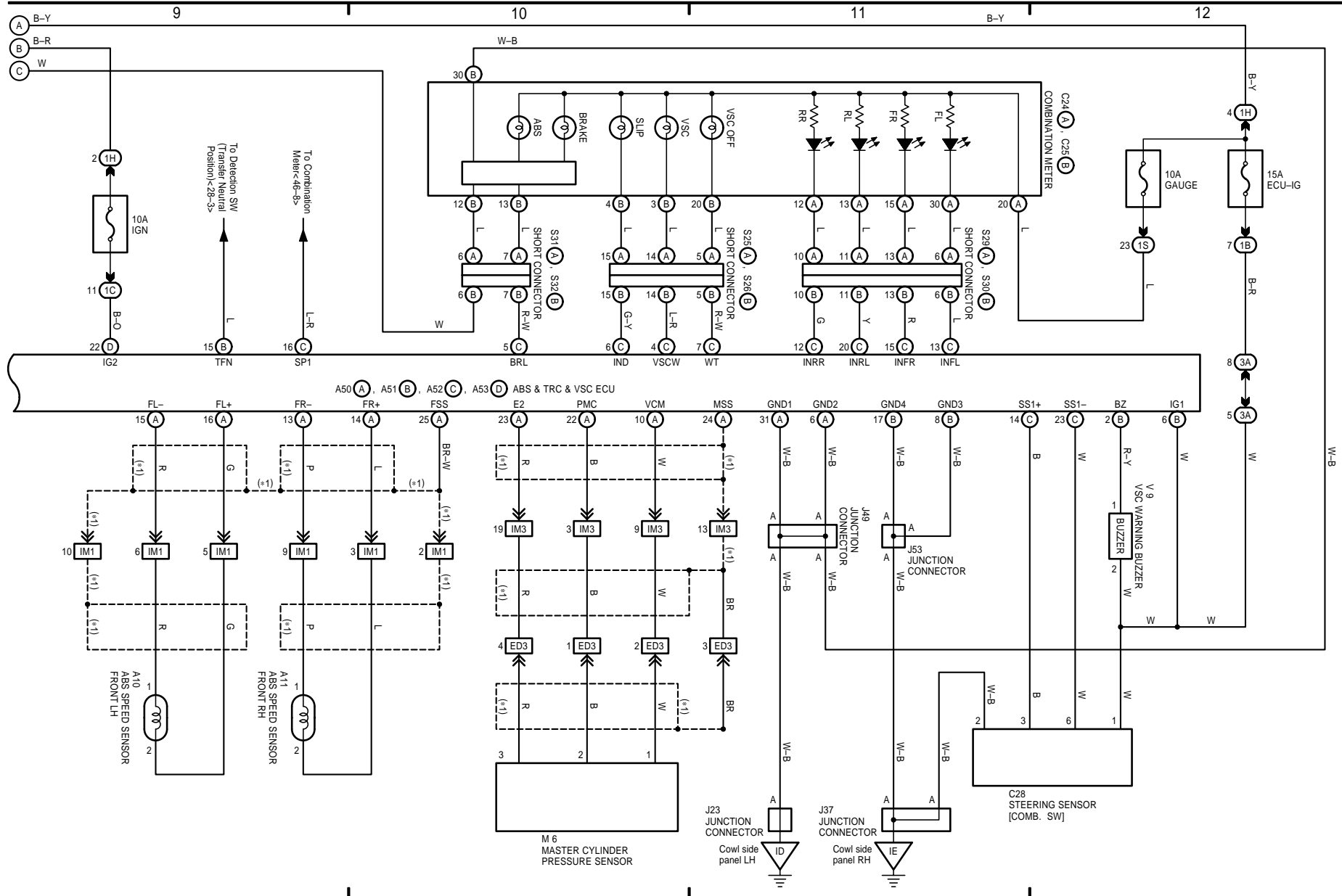
* 1 : Shielded



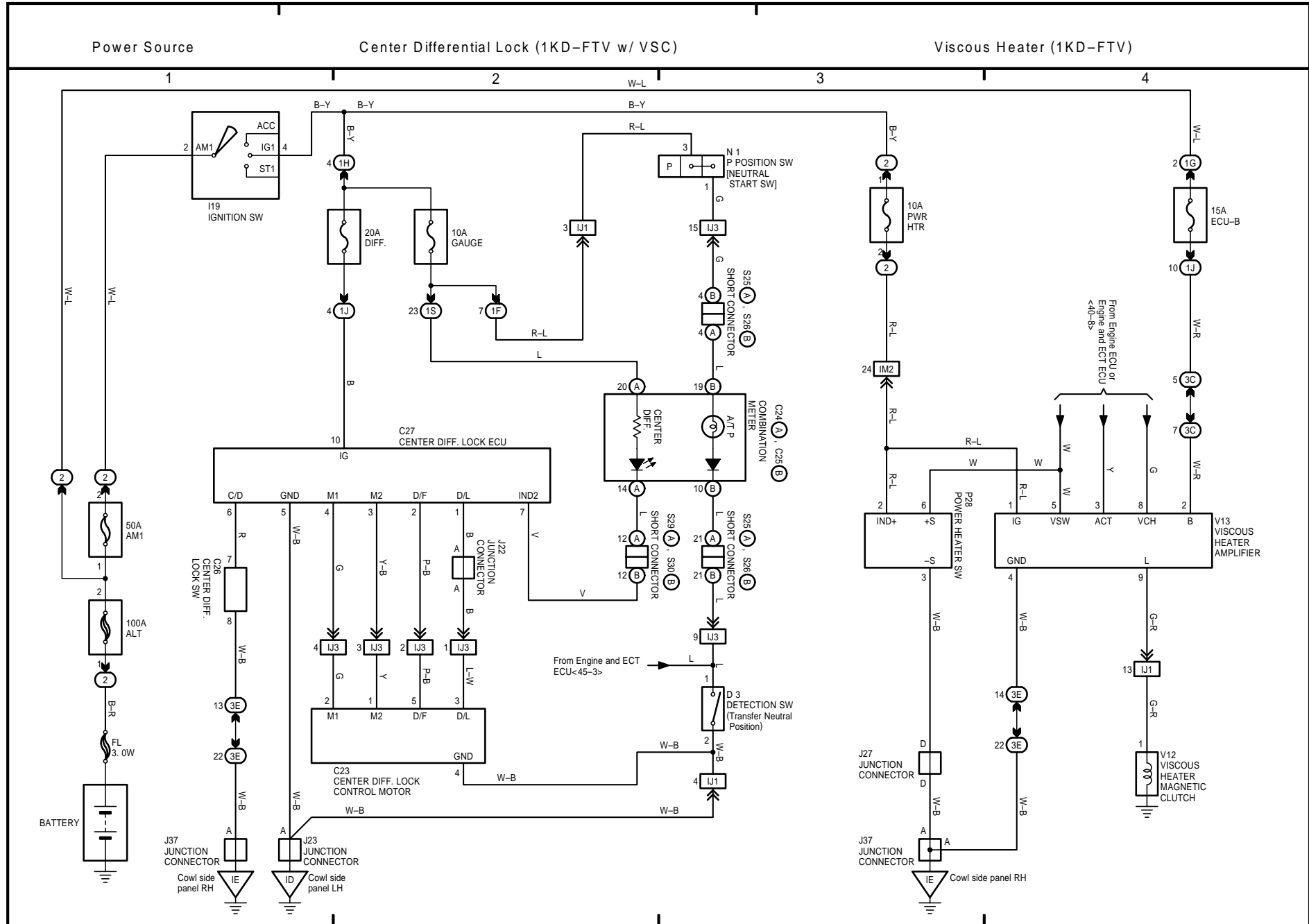
43 LAND CRUISER / LAND CRUISER PRADO (RHD) (Cont' d)

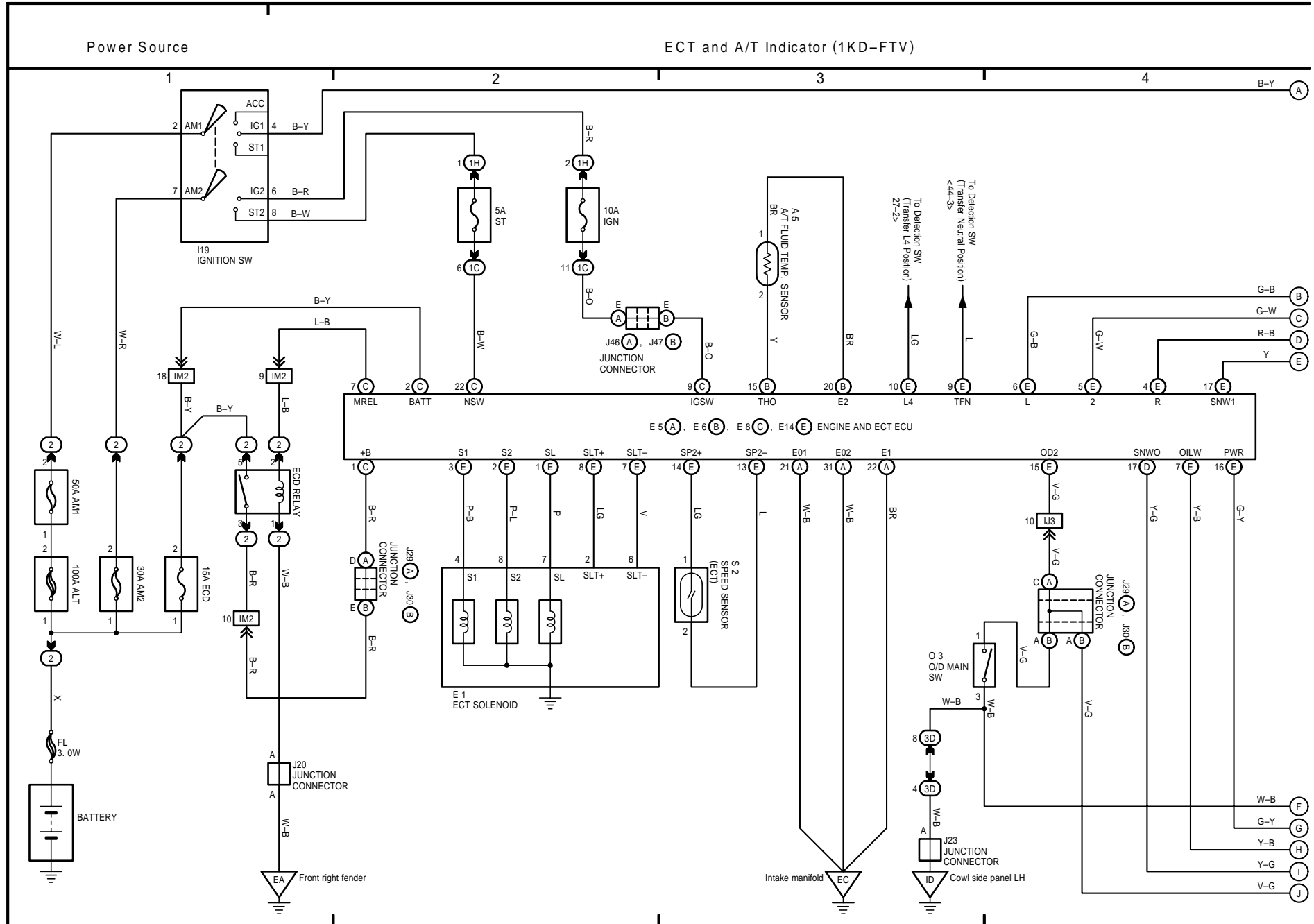
VSC (1KD-FTV)

* 1 : Shielded



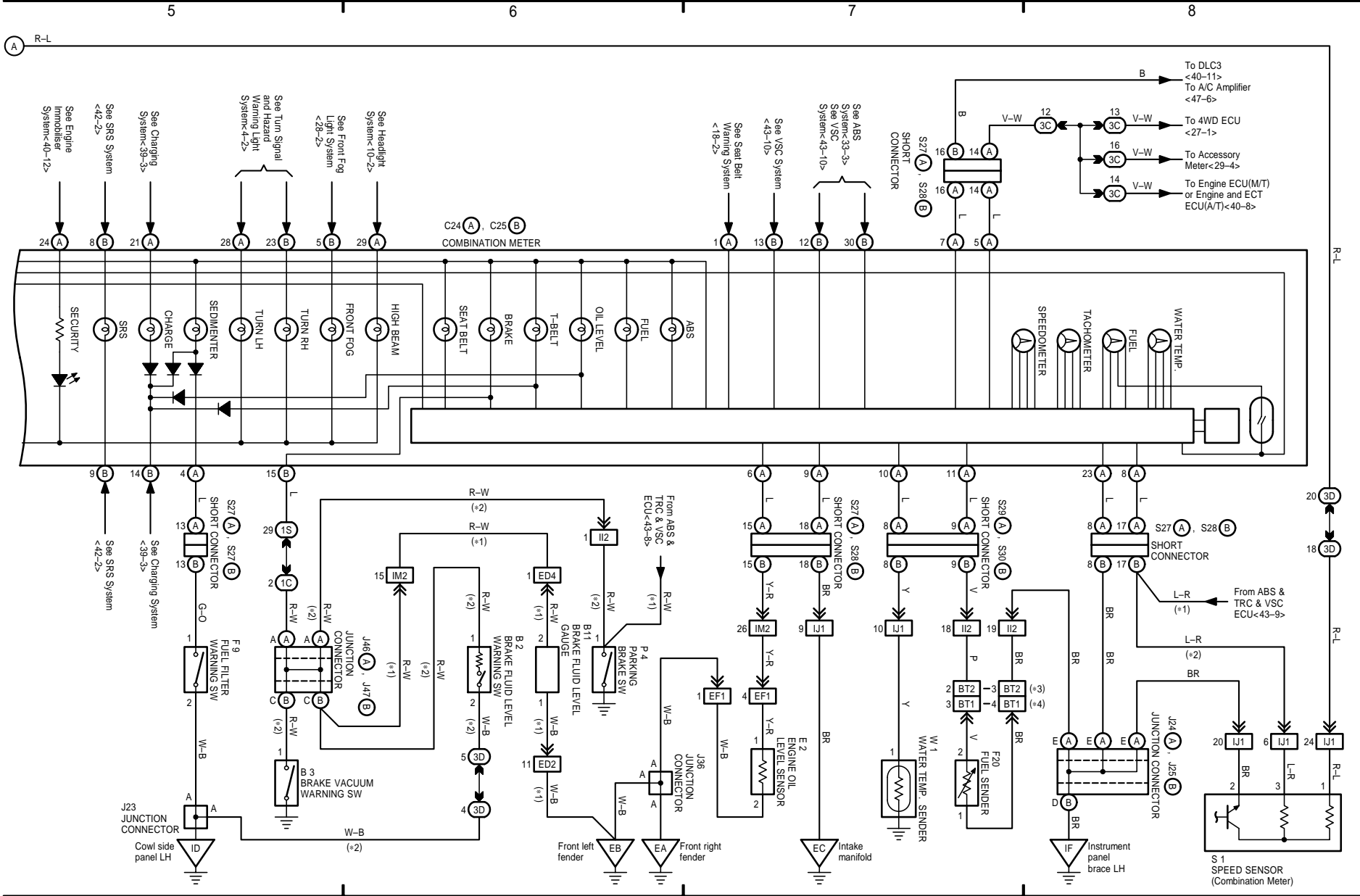
44 LAND CRUISER / LAND CRUISER PRADO (RHD)

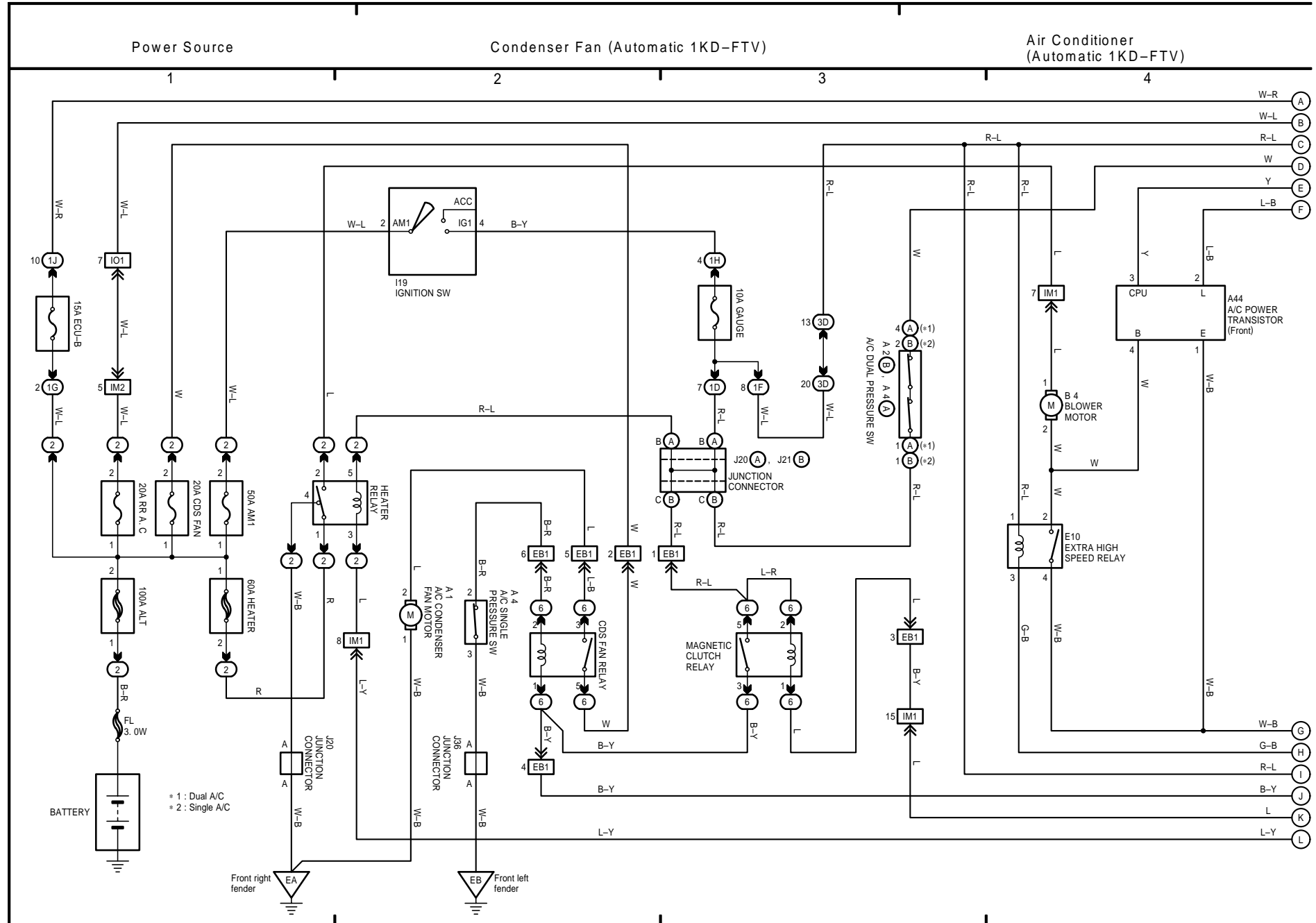




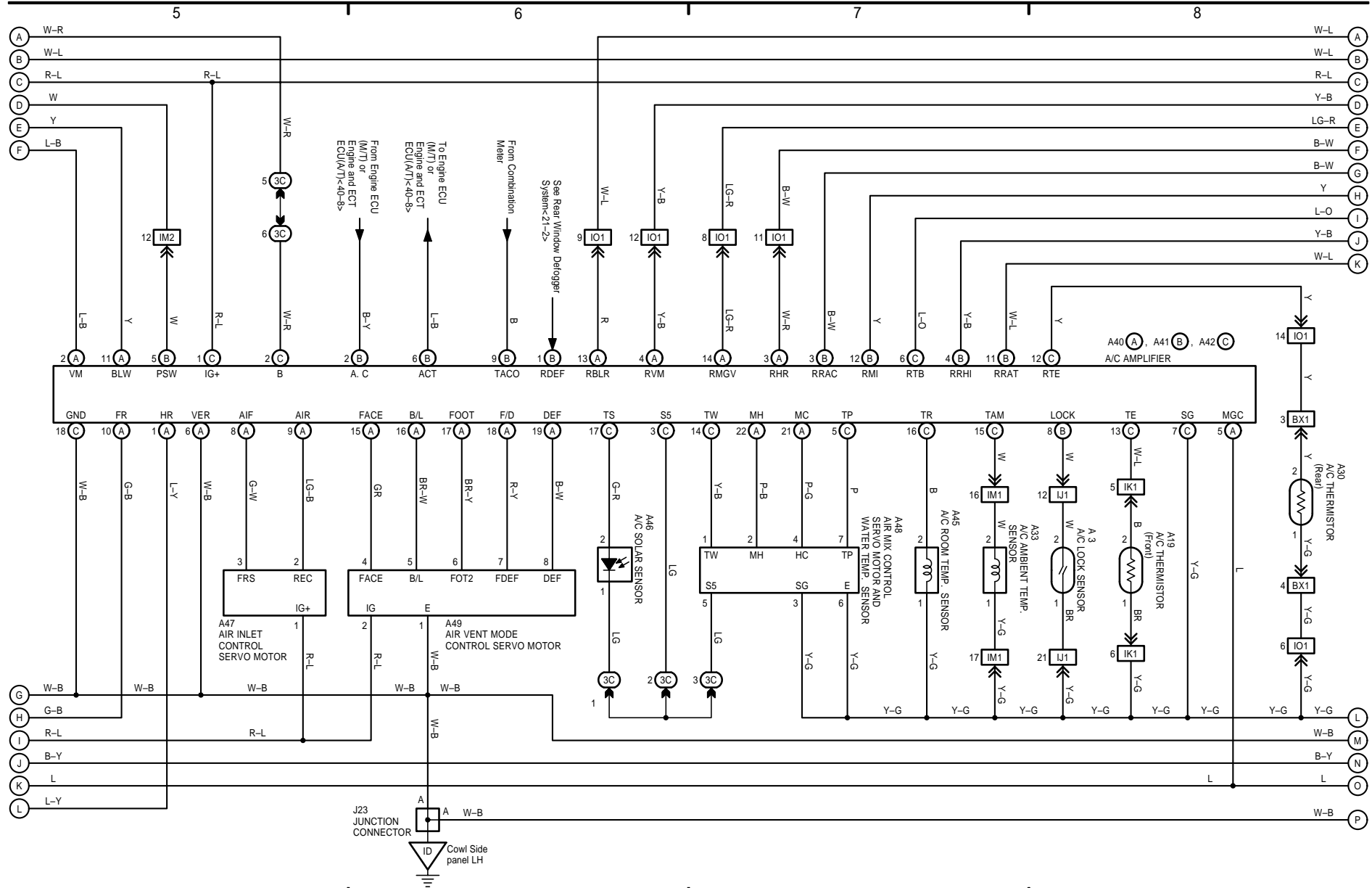
Combination Meter (1KD-FTV)

- * 1 : w/ VSC
- * 2 : w/o VSC
- * 3 : 3-Door
- * 4 : 5-Door

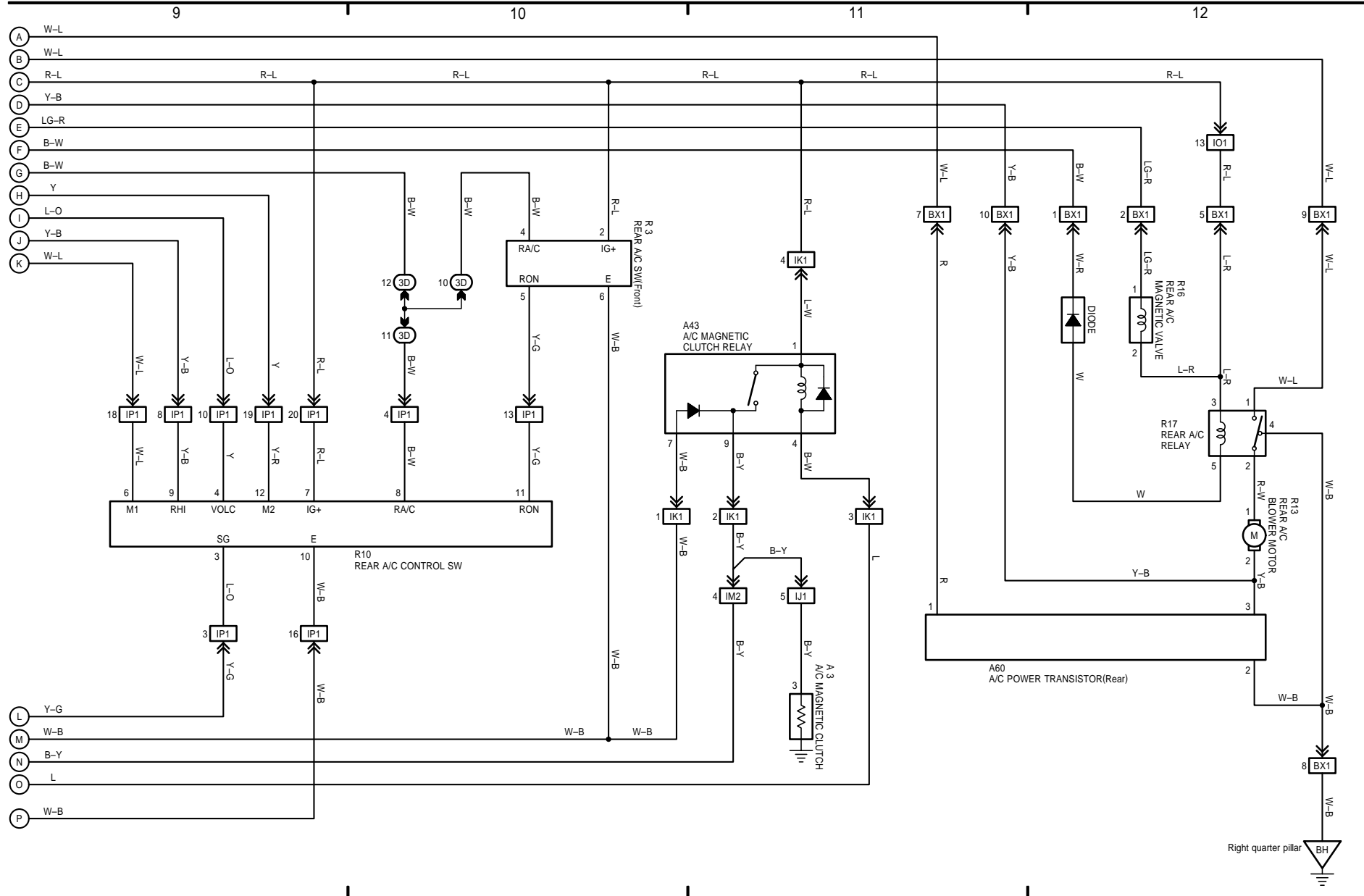




Air Conditioner (Automatic 1KD-FTV)

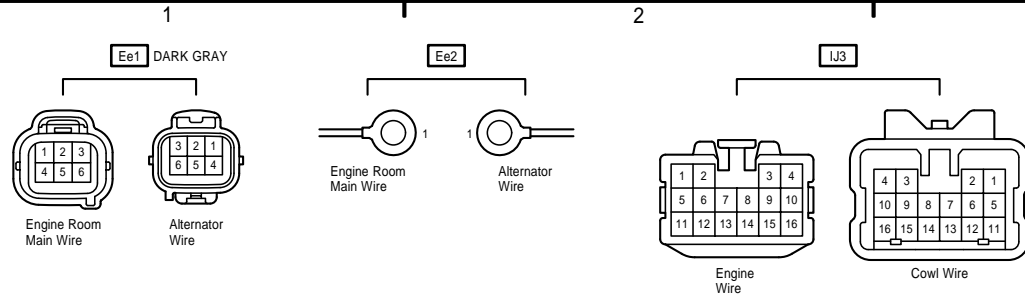


Air Conditioner (Automatic 1KD-FTV)



LAND CRUISER / LAND CRUISER PRADO

Connector Joining Wire Harness and Wire Harness



Connector List

1

2

3

4

A 1 BLACK



A 2 GRAY



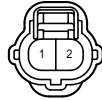
A 3 GRAY



A 4 DARK GRAY



A 5



A10 GRAY



A11 GRAY



A13 BLACK



A14 BLACK



A15



A18 BLACK



A19



A23



A25 YELLOW



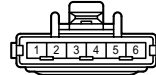
A26 YELLOW



A27 BLACK



A29 BLACK



A30



A31 GRAY



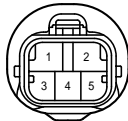
A32 GRAY



A33 BLACK



A35 BLACK



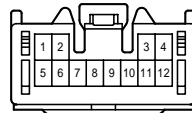
A36 GRAY



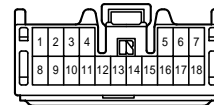
A40 ORANGE



A41 ORANGE



A42 ORANGE



A44 BLACK



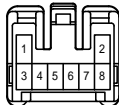
A45



A46 BLACK



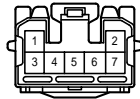
(LHD) A47



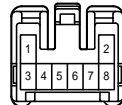
(RHD) A47



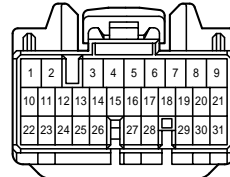
A48 GRAY



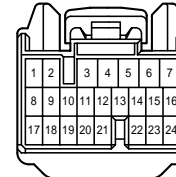
A49



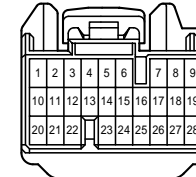
A50



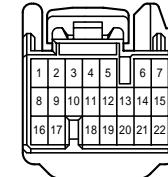
A51 BLACK



A52



A53 BLACK



A58 BLACK



A60



B 2 GRAY



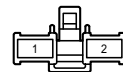
(LHD) B 3 BLACK



(RHD) B 3 GRAY



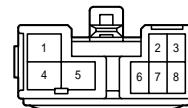
(LHD) B 4 BLACK



(RHD) B 4 BLACK



B 6



B11 GRAY



C 1 BLACK



Connector List

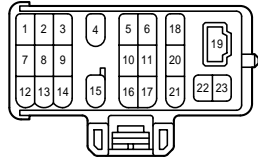
1

2

3

4

C 3 BLACK



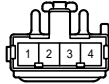
C 4 GRAY



C 7 GRAY



C 9 GRAY



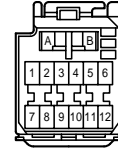
C 17 BLACK



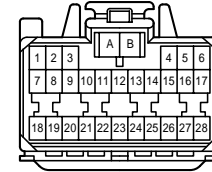
C 18



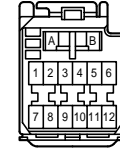
C 20 YELLOW



C 21 YELLOW



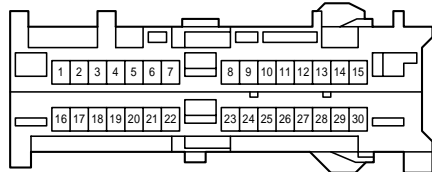
C 22 YELLOW



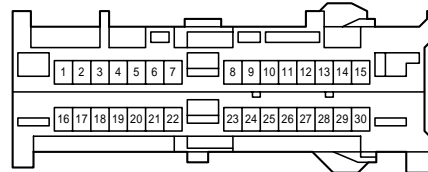
C 23 BLACK



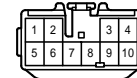
C 24 BLUE



C 25



C 26 BLACK



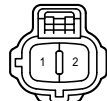
C 27



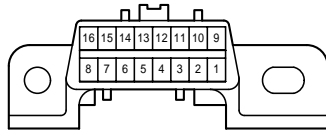
C 28



D 3 GRAY



D 22 BLACK



D 23 BLACK



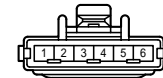
E 1 GRAY



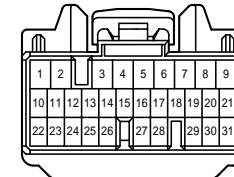
E 2



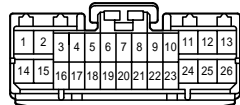
E 3 BLACK



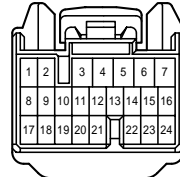
(1KD-FTV) E 5



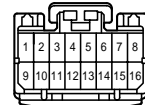
(3RZ-FE) E 5



(1KD-FTV) E 6



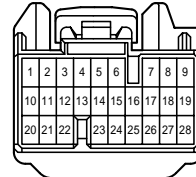
(3RZ-FE) E 6



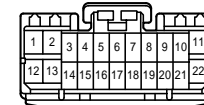
E 7



(1KD-FTV) E 8



(3RZ-FE) E 8



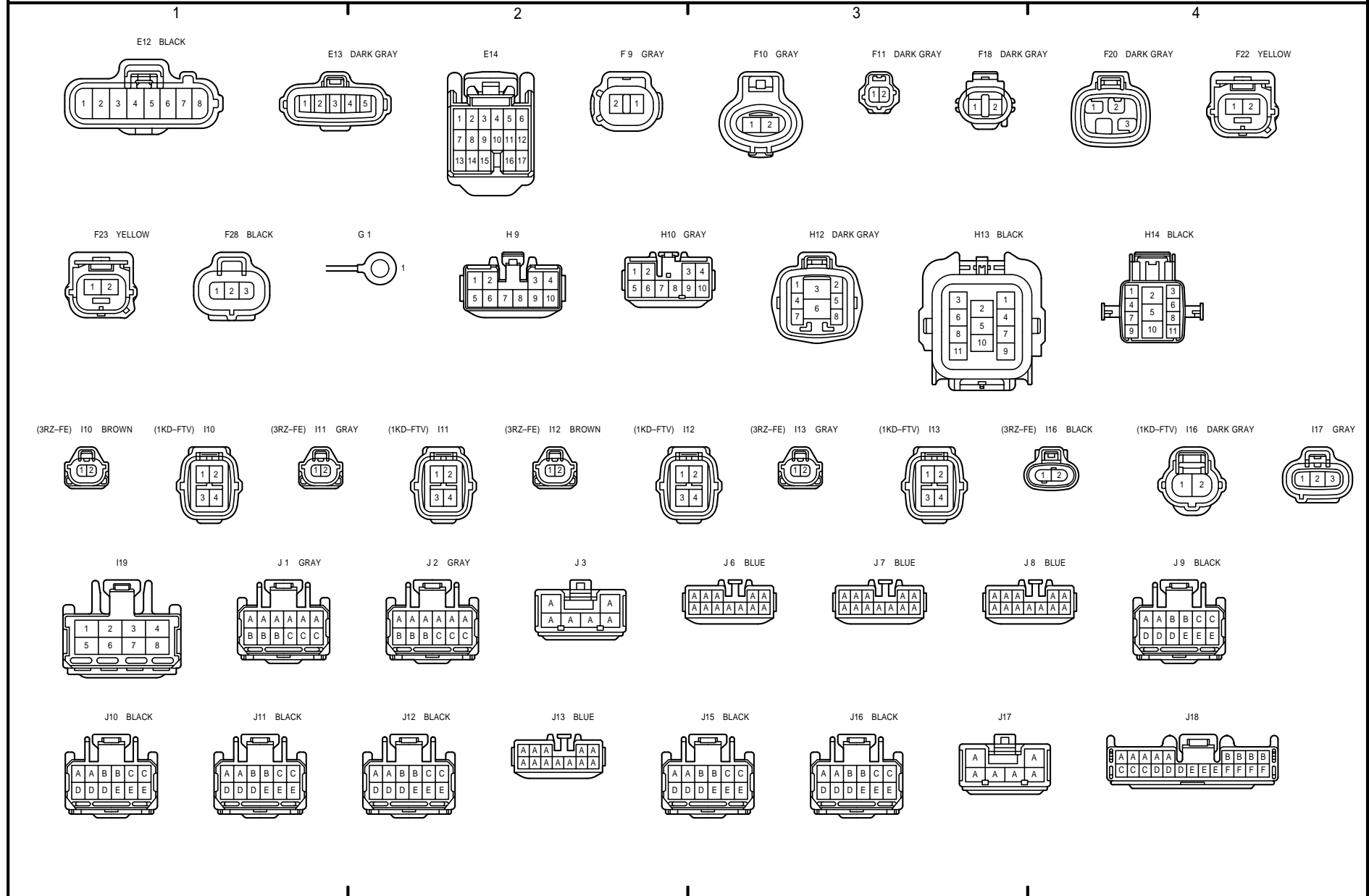
E 10



E 11 BLACK



Connector List



LAND CRUISER / LAND CRUISER PRADO

Connector List

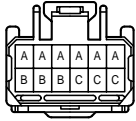
1

2

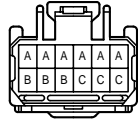
3

4

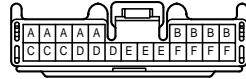
J20 GRAY



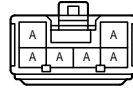
J21 GRAY



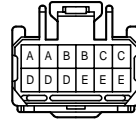
J22



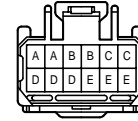
J23



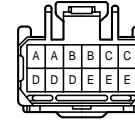
J24 BLACK



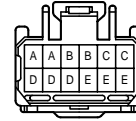
J25 BLACK



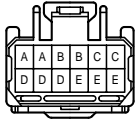
J26 BLACK



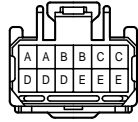
J27 BLACK



J29 BLACK



J30 BLACK



J31 BLUE



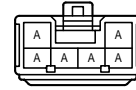
J32 BLUE



J36 BLUE



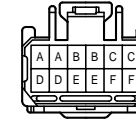
J37



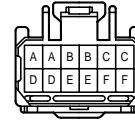
J39 BLUE



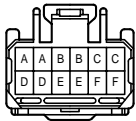
J41



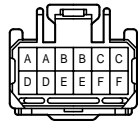
J42



J46



J47



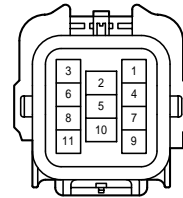
J49 BLUE



J50 GRAY



J51 BLACK



J52 GRAY



J53 BLACK



K1 DARK GRAY



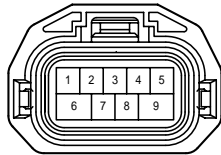
M2 BLACK



M6 GRAY



N1 GRAY



O1 GRAY



O3 BLUE



P4 BLACK



P24 YELLOW



P25 YELLOW



P28 BLACK



R1 BLUE



R2 BLUE



R3 BLACK



R5 BLACK



R6 BLACK



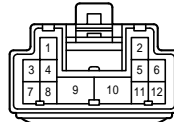
R7 BROWN



R9 BLUE



R10



R12 BLACK



R13 BLACK



R16 BLACK



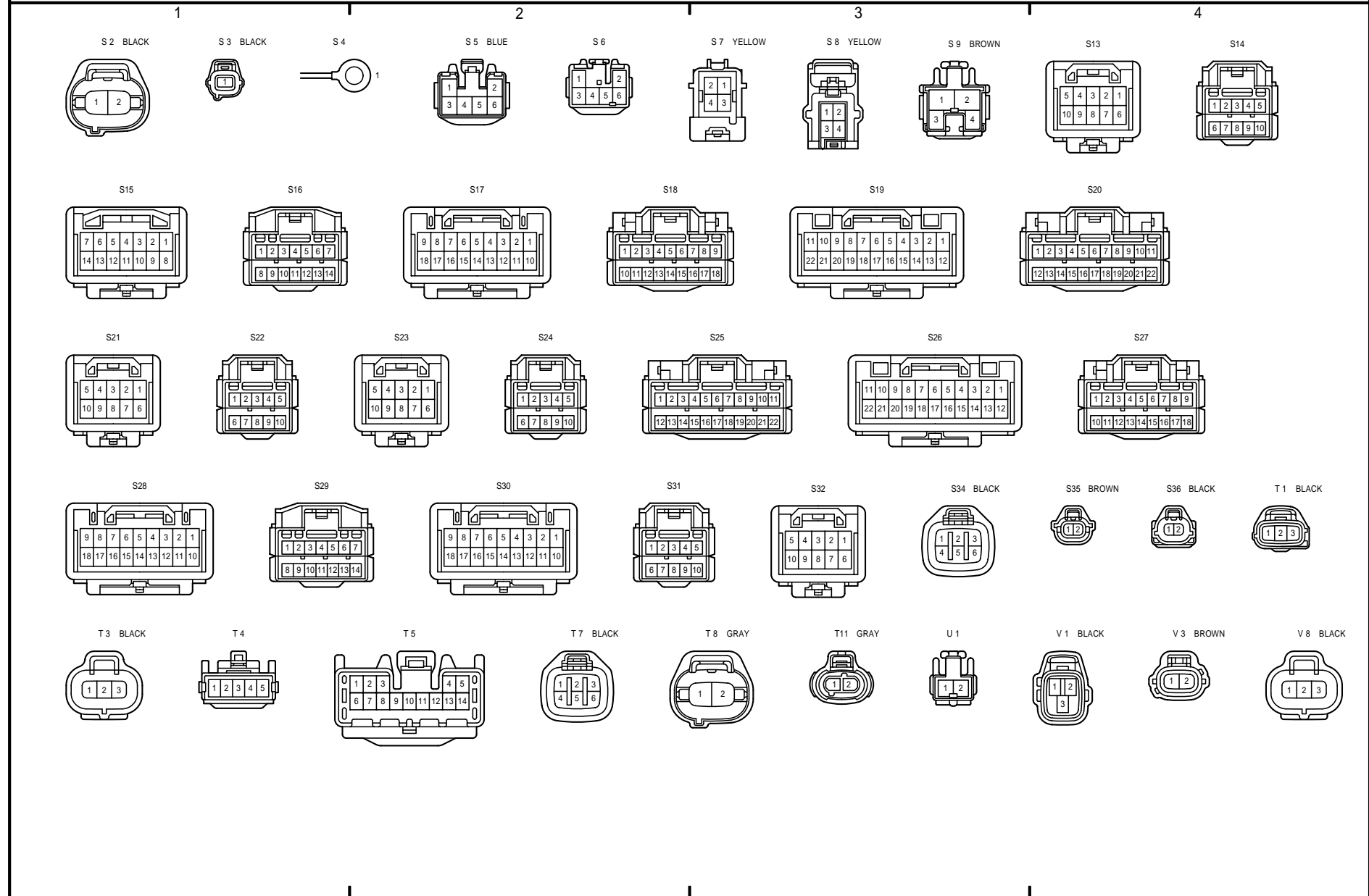
R17



S1 BLACK



Connector List



LAND CRUISER / LAND CRUISER PRADO

Connector List

1

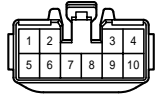
V 9 BLACK



V12 GRAY



V13 BLACK

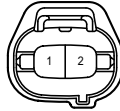


2

V14 BLUE



V15 BROWN



3

W 1 GRAY



W 2 DARK GRAY



4

Y 1 BLACK

